



## Balanced Flue Log Effect Stove Range with Thermostatic Remote Control

# User, Installation & Servicing Instructions

### IMPORTANT

THE OUTER CASING, FRONT AND GLASS PANEL BECOME EXTREMELY HOT DURING OPERATION AND WILL RESULT IN SERIOUS INJURY AND BURNS IF TOUCHED. IT IS THEREFORE RECOMMENDED THAT A FIREGUARD COMPLYING WITH BS 8423 (LATEST EDITION) IS USED IN THE PRESENCE OF YOUNG CHILDREN, THE ELDERLY OR INFIRM.

This product contains a Heat resistant glass panel. This panel should be checked during Installation and at each servicing interval. If any damage is observed on the front face of the glass panel (scratches, scores, cracks or other surface defects), the glass panel must be replaced and the appliance must not be used until a replacement is installed. Under no circumstances should the appliance be used if any damage is observed, the glass panel is removed or broken.

It is essential that ALL of the screws that retain the glass frame are replaced and tightened correctly. Under no circumstances should the appliance be operated if any of these screws are loose or missing.

These Instructions must be left with the appliance for future reference and for consultation when servicing the appliance. Please make the customer aware of the correct operation of the appliance before leaving these instructions with them.

The commissioning sheet found on Page 3 of this Instruction manual must be completed by the Installer prior to leaving the premises.

# CONTENTS

## LOFT FREESTANDING - BALANCED FLUE

Covering the following models:

MODEL	LOFT
Nat Gas	548-032
LPG	548-457

<b>Appliance Commissioning Checklist .....</b>	<b>3</b>
<b>User Instructions .....</b>	<b>4</b>
<b>Installation Instructions .....</b>	<b>12</b>
Technical Specifications .....	17
Site Requirements .....	18
Installation .....	21
Commissioning .....	40
<b>Servicing Requirements .....</b>	<b>41</b>
Fault Finding .....	41
How to replace parts .....	43
Spare parts list .....	53
Information Requirement - Gas Heaters .....	56
Service Records .....	57

### WARNING



In the event of a gas escape or if you can smell gas, please take the following steps:

- Immediately turn off the gas supply at the meter/emergency control valve
- Extinguish all sources of ignition
- Do not smoke
- Do not operate any electrical light or power switches (On or Off)
- Ventilate the building(s) by opening doors and windows
- Ensure access to the premises can be made

Please report the incident immediately to the National Gas Emergency Service Call Centre on 0800 111 999 (England, Scotland and Wales) , 0800 002 001 (N. Ireland) or in the case of LPG, the gas supplier whose details can be found on the bulk storage vessel or cylinder.

The gas supply must not be used until remedial action has been taken to correct the defect and the installation has been recommissioned by a competent person.



It is a requirement of the Building Regulations 2010 that the installation of this appliance is notified to the Local Authority. It is the responsibility of the GasSafe registered installer to carry out this notification to the Local Authority via the GasSafe register Competent Persons Scheme in England and Wales (different rules apply in Scotland and Northern Ireland).

When the installation has been notified, GasSafe will send a Building Regulations Compliance Certificate to you containing details of the work completed. Please ensure that the person responsible for the installation of this appliance completes this notification and records it in the Appliance Commissioning Checklist on page 3.

**IT IS YOUR RESPONSIBILITY TO COMPLY WITH THE BUILDING REGULATIONS AND BE ABLE TO PRODUCE THIS CERTIFICATE SHOULD IT BE REQUIRED IN THE FUTURE.**

# APPLIANCE COMMISSIONING CHECKLIST

To assist us in any guarantee claim please complete the following information:-

## IMPORTANT NOTICE

Explain the operation of the appliance to the end user, hand the completed instructions to them for safe keeping, as the information will be required when making any guaranteed claims.

FLUE CHECK	PASS	FAIL
1. Flue Is correct for appliance		
2. Flue flow Test N/A		
3. Spillage Test N/A		
GAS CHECK		
1. Gas soundness & let by test		
2. Standing gas pressure	mb	
3. Appliance working pressure (on High Setting) Minimum Pressure Requirement: NG - 17.5mbar LPG - 34.5mbar NB All other gas appliances must be operating on full	mb	
4. Gas rate	m <sup>3</sup> /h	
5. Does Ventilation meet appliance requirements N/A		
SAFETY CHECK		
1. Check soundness of the Thermocouple connections - including tightness and lead integrity		
2. Glass checked to ensure no damage, scratches, scores or cracks		
3. Glass frame secured correctly and all screws replaced		
4. CO alarm fitted		
BUILDING CONTROL NOTIFICATION	YES	NO
1. Installer notified GasSafe/Local Authority of installation via Competent Persons Scheme?		

## RETAILER AND INSTALLER INFORMATION

Retailer .....

.....

.....

Contact No.....

Date of Purchase .....

Model No. ....

Serial No.....

Gas Type .....

Installation Company .....

.....

.....

Engineer.....

Contact No.....

GasSafe Reg No. ....

Date of Installation .....

## USER INSTRUCTIONS

### GENERAL

Installation and servicing must only be carried out by a competent person whose name appears on the GasSafe register. To ensure the engineer is registered with GasSafe they should possess an ID Card carrying the following logo:



In all correspondence, please quote the appliance type and serial number which can be found on the data badge located at the rear of the appliance or on the Commissioning Checklist on Page 3.

**Do not** place curtains above the appliance:

You must have 300mm clearance between the appliance and any curtains at either side.

The manufacturer considers the full outer casing of this stove to be a working surface and it will become hot whilst in operation. A suitable guard is recommended to protect young children, the aged and the infirm.

No furnishings or other objects should be placed within 1 metre of the front of the appliance.

If a shelf is fitted, a distance of 225mm above the appliance is required.

Do not attempt to burn rubbish in this appliance.

This appliance must only be operated with the door secured firmly in position. If any cracks appear in the glass the appliance must not be used until the glass panel is replaced.

Do not obstruct the flue terminal in any way i.e. by planting flowers, trees shrubs etc. in the near vicinity, or by leaning objects up against the terminal guard.

Do not put any objects on the terminal guard; it will lose its shape. Do not use a garden sprinkler or hose near the terminal.

This product is guaranteed for 5 years from the date of installation, as set out in the terms and conditions of sale between Gazco and your local Gazco retailer. Please consult with your local Gazco retailer if you have any questions. In all correspondence always quote the Model Number and Serial Number.

### CO ALARMS

Building regulations require that whenever a new or replacement fixed gas burning appliance is installed in a dwelling, a carbon monoxide alarm complying with BS EN 50291-1 (latest edition) must be fitted in the same room as the appliance. Further guidance and recommendations on the installation of carbon monoxide alarms is available in BS EN 50292 (latest edition) and from manufacturers' instructions.

**Provision of an alarm must not be considered a substitute for either installing the appliance correctly or ensuring regular servicing and maintenance of the appliance.**

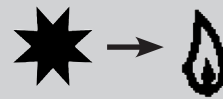
## OPERATING THE APPLIANCE



1

Mode Settings  
See Advanced Controls instructions

2



3



4



5



**IMPORTANT: YELLOW FLAMES TYPICALLY APPEAR WHEN THE APPLIANCE HAS REACHED NORMAL OPERATING TEMPERATURE. THIS CAN TAKE UP TO 30 MINUTES.**



**WARNING: IF THE APPLIANCE FAILS TO LIGHT OR BECOMES EXTINGUISHED IN USE, WAIT 3 MINUTES BEFORE ATTEMPTING TO RELIGHT.**

## ADVANCED CONTROLS

There are 3 different modes available for controlling and operating the appliance:

1. Manual Mode
2. Temp Mode (Automatic)
3. Timer Mode (Automatic)

In **MANUAL MODE** you can:

- turn on the main burner using the UP button
- regulate the flame from high to low and back
- turn off the burner leaving just the pilot burning

In **TEMP MODE (Automatic)** you can:

- set the room temperature so the thermostat in the remote automatically maintains that temperature

In **TIMER MODE (Automatic)** the appliance:

- turns on and off according to the set time periods
- automatically regulates the room temperature during the set periods

**i** **NOTE: When operating the appliance in Temp or Timer mode, the pilot remains lit and the appliance then automatically switches on at programmed times to bring the room to the set temperature whether or not you are in the room. NEVER LEAVE ANY COMBUSTIBLE MATERIALS WITHIN 1 METRE OF THE FRONT OF THE APPLIANCE.**

## SWITCHING BETWEEN MODES

Press the SET button to change to Temperature Mode. Press again to change to Timer Mode. Keep pressing to run through all operating modes. These are:

- MAN
- DAY TEMP
- NIGHT TEMP
- TIMER

and back to MAN

**NOTE: MAN mode can also be reached by pressing either the UP or DOWN button.**

## MANUAL MODE

Press the OFF button and the UP button simultaneously. You hear several clicks and audible beeps as the appliance begins the ignition process, (up to 30 seconds).

**Turning the appliance Off:**

Press the OFF button to turn the appliance off.

**FOR SAFETY, YOU MUST WAIT 30 SECONDS BEFORE LIGHTING THE APPLIANCE AGAIN.**

**Increasing the Flame Height:**

Press the UP button once to increase flame height one stage. Press and hold the UP button to increase to maximum.

**Decreasing the Flame Height:**

Press the DOWN button once to decrease flame height one stage. Press and hold the DOWN button to decrease to minimum. At the lowest point the appliance goes to 'Standby Mode' (Only Pilot lit).

**i** **NOTE: While pressing a button a symbol indicating transmission appears on the display. The receiver confirms transmission with a sound signal.**

## TEMP MODE (AUTOMATIC)

The display shows the current **room** temperature.

To increase or decrease the appliance's output:

Press the SET button to select either the DAY TEMP or the NIGHT TEMP mode by briefly pressing the SET button.

Hold the SET button until the TEMP display flashes and then let go.

Set the desired temperature with the UP and DOWN arrows. (Minimum temperature 5C, maximum 40C or 40F to 99F when Fahrenheit is the preferred option)

Press the OFF button to stop the display flashing or wait to return to TEMP mode.

**i** **NOTE: If you set a temperature that is beneath the current room temperature, the appliance automatically switches to PILOT (Stand by).**

**If you would like the Night temperature control to turn off then decrease the temperature until [--] is displayed.**

## TIMER MODE (AUTOMATIC)

There are two programmable settings you can make over a 24 hour period, P1 and P2. These are normally used to provide an early morning and evening setting for each working week:

- P1 + ● = Start Timed Setting 1
- P1 + ☺ = End of Timed Setting 1
- P2 + ● = Start Timed Setting 2
- P2 + ☺ = End of Timed Setting 2

**P1 - Program 1 for a Timed Setting**

Press the SET button until the TIMER mode is displayed.

Hold the SET button. The displays flashes the current time for P1. **While the time displayed is flashing you can alter the hours and minutes set.**

To set the time your appliance first lights, change P1 ●

- Press the UP button to alter the hour.
- Press the DOWN button to alter the minutes in 10 minute increments.

## ADVANCED CONTROLS

Press SET again to move to the end setting for P1 ▶ This is the time your appliance first shuts down:

- Press the UP button to alter the hour.
- Press the DOWN button to alter the minutes.

### P2 - Program 2 for a Timed Setting

Use the same steps outlined in 2.8 to change the setting for P2. If you have already set P1 and want to alter the setting for P2 only:

- Press the SET button until TIMER mode is displayed.
- Hold the SET button **until the display flashes the current time** for P1 ●
- Press the SET button once again to scroll past the settings for P1 ● and P1

With the time still flashing:

- Press the UP button to alter the hour
- Press the DOWN button to alter the minutes

Once all four times are set press the OFF button.

To view existing settings:

- Select Timer Mode
- Press and briefly hold the SET button you see the start time for P1.
- Repeat the above step for the start and end of each program.

### Low Battery

“BATT” is displayed on the remote when its batteries need replacement.

### Setting the time


Simultaneously press the up and down buttons.

Press the up button to set the hour and the down button to set the minutes.

Press OFF to return to the manual mode or simply wait.

### Setting the °C/24 Hour or °F/12 Hour clock

Press OFF and the down arrow until the display changes from °C/24 hour clock to °F/12 hour clock and vice versa.

 **If the remote is removed, lost or damaged, signals transmitted to the receiver cease. Your appliance will go to standby (pilot) mode after 6 hours.**

## TROUBLESHOOTING



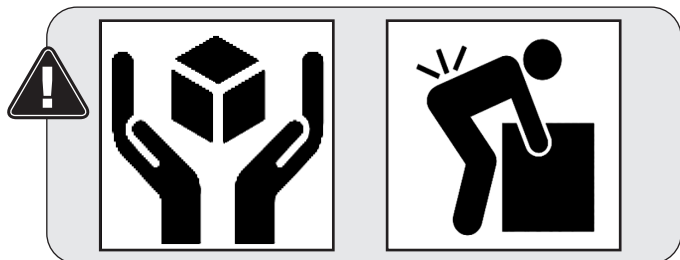
**IMPORTANT:** In the unlikely event that the handset fails to communicate correctly with the appliance it may be necessary to turn off the gas supply at the isolation valve until any problems can be resolved.

The gas meter and isolation valve can be located outside in a meter box, under the stairs, beneath the kitchen sink or in the garage. Whilst this list is not exhaustive, it is important to be able to identify the location of the valve in case of any gas emergency.

To turn off the gas supply, simply turn the handle so the lever is at 90 degrees to the upright gas pipe.

If you smell gas, open doors and windows and never operate any electrical switches. Immediately call the Gas Emergency Services on 0800 111 999.

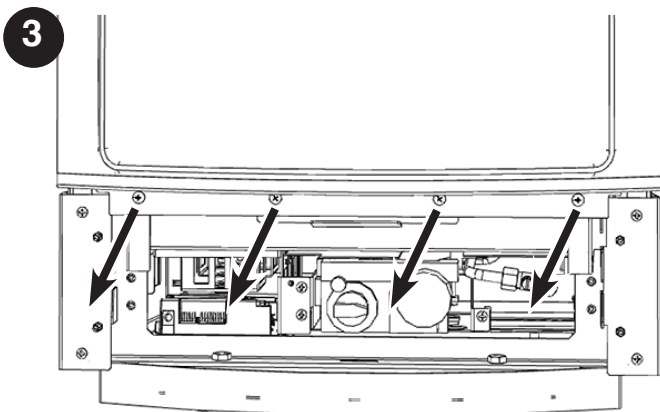
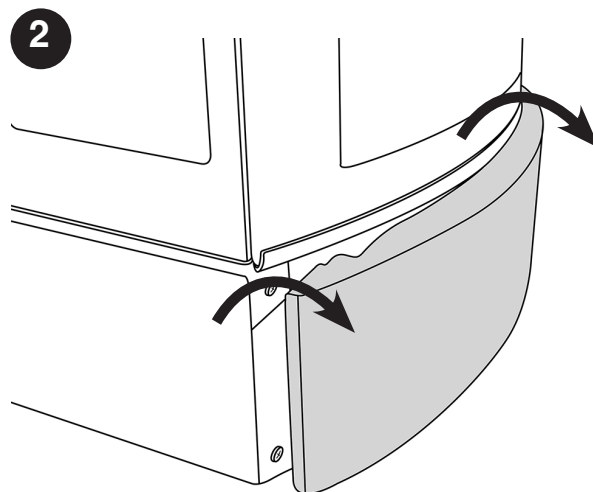
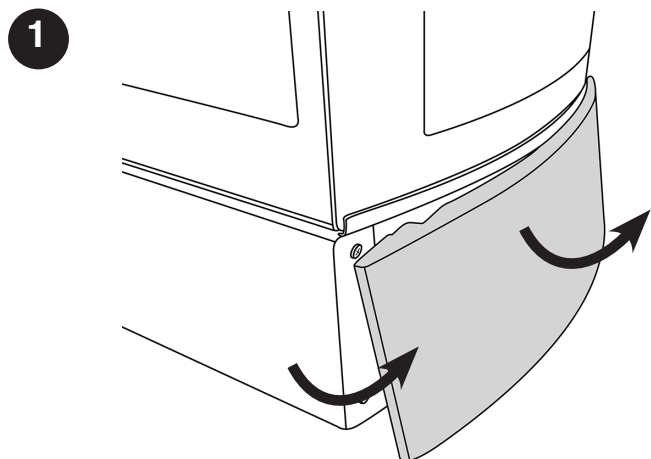
## CLEANING THE APPLIANCE



Make sure the fire and surrounds are cool before cleaning.

Use:

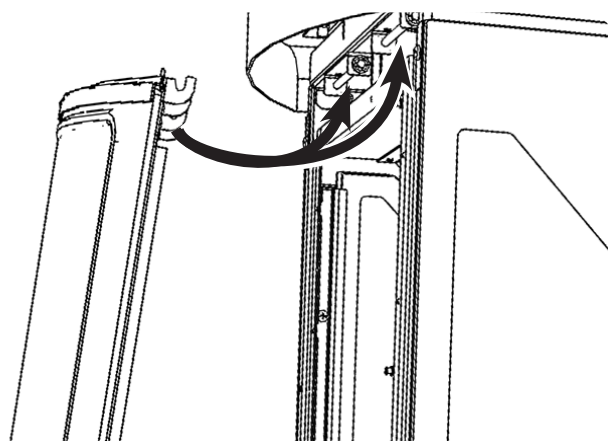
- A dry cloth to clean the appliance casing.
- A damp cloth for the glass front.



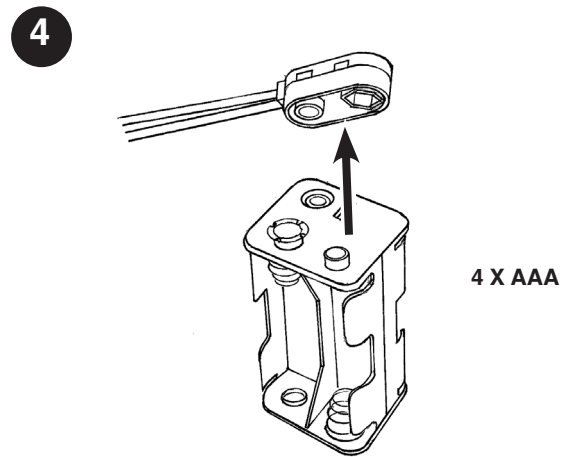
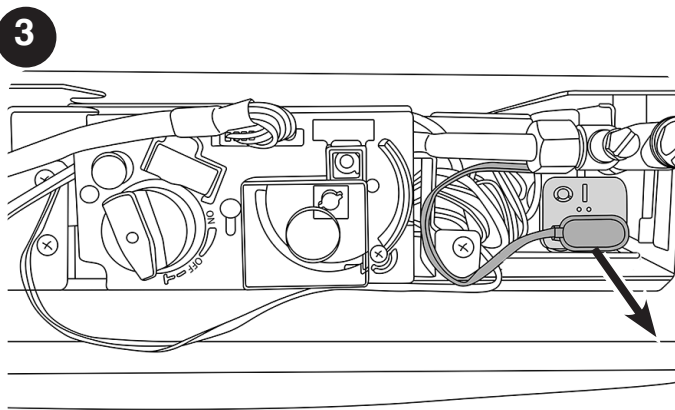
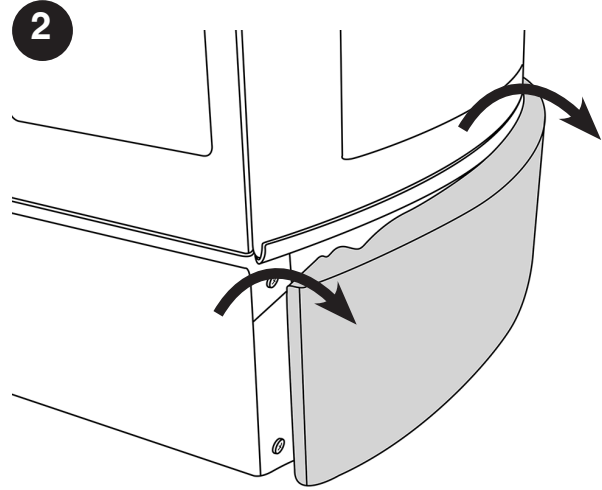
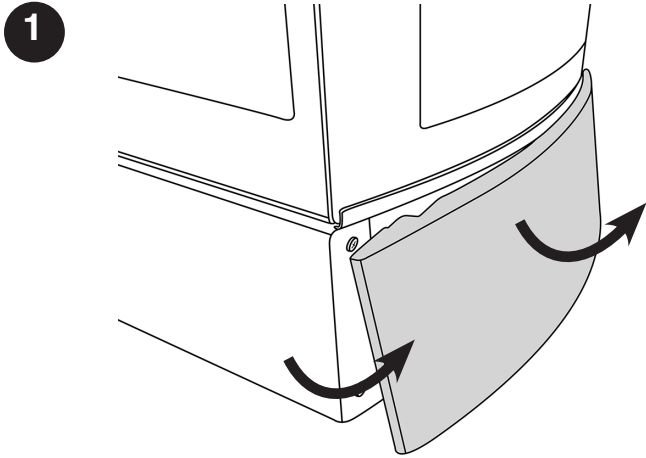
**REPLACE ALL OF THE SECURING SCREWS, ENSURING THAT A SCREW IS PRESENT IN ALL FIXING SLOTS.**

**UNDER NO CIRCUMSTANCES SHOULD THE APPLIANCE BE USED IF ANY OF THE GLASS FRAME RETAINING SCREWS ARE LOOSE OR MISSING.**

**NOTE: SUPPORT DOOR WHEN REMOVING**



CHANGING THE APPLIANCE BATTERIES



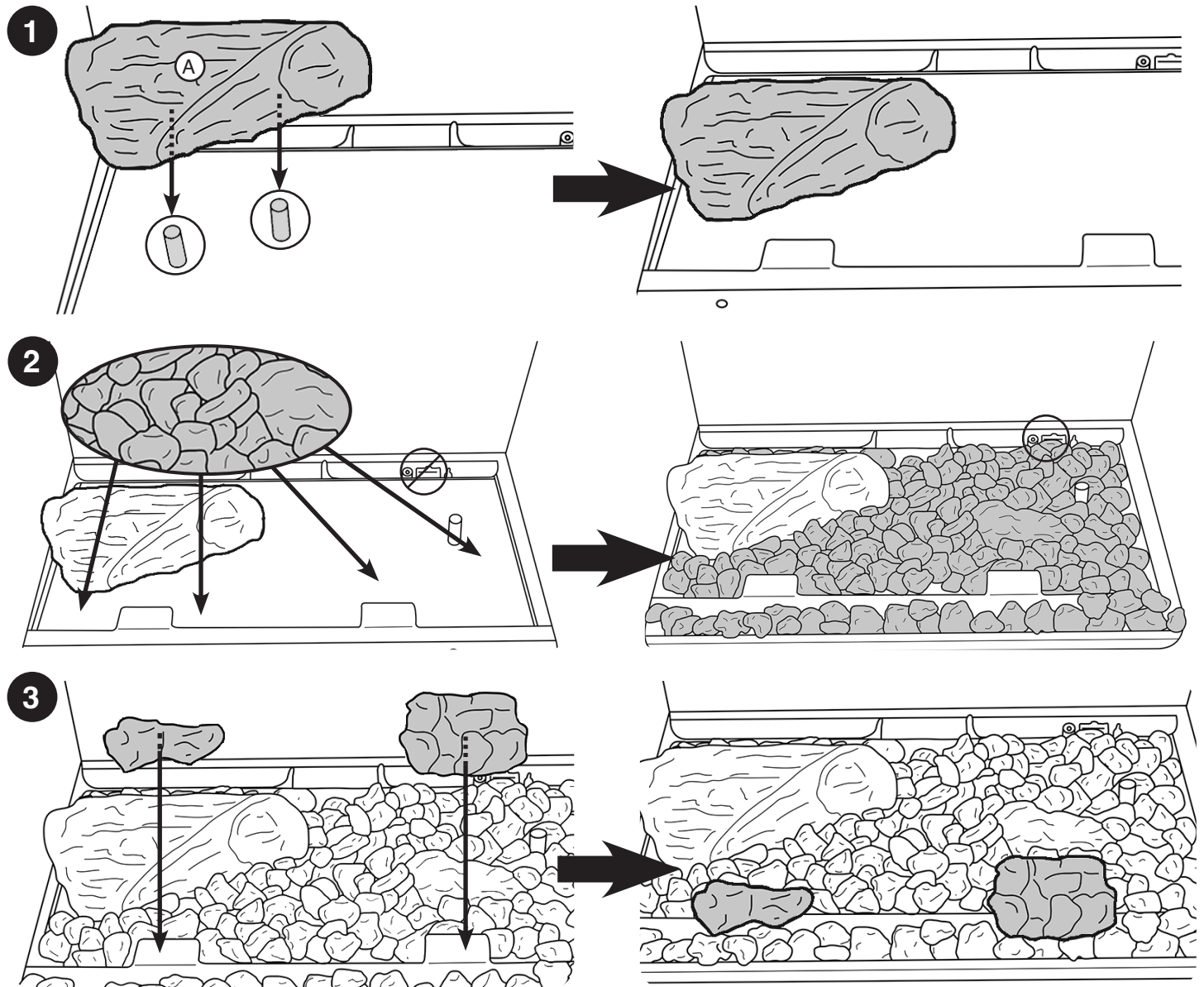
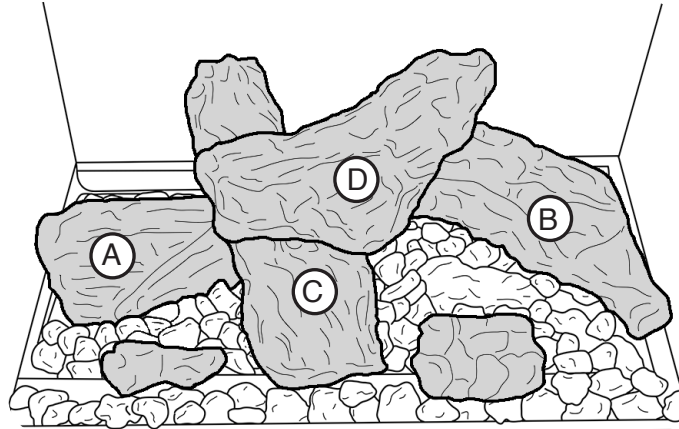
**i** It is essential to use high quality batteries (Duracell or equivalent) when replacing batteries in the handset or control box.

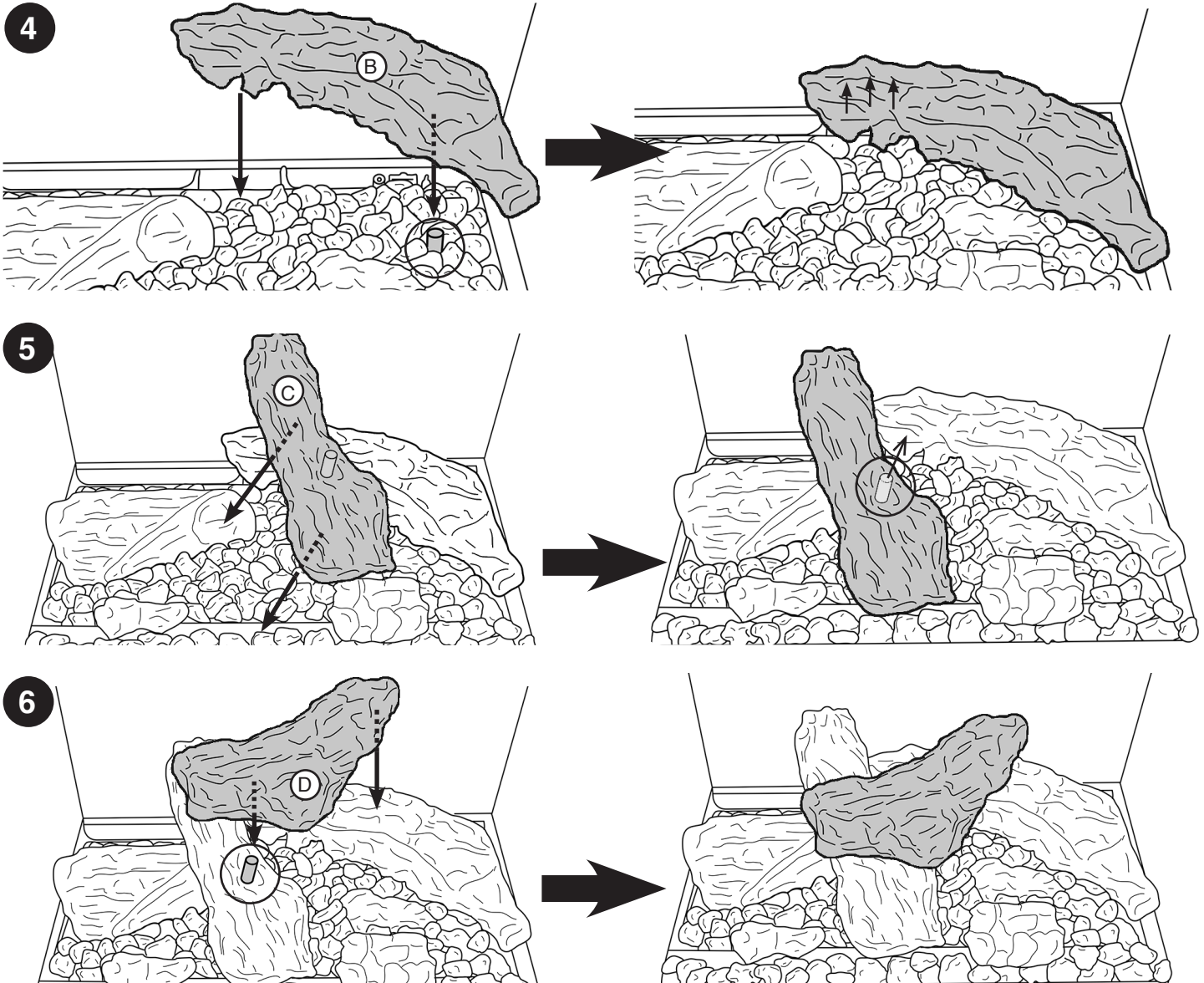
**!** PLEASE ENSURE NO WIRES ARE TRAPPED BEFORE REPLACING THE PLINTH. THE LEAD IS EASILY DAMAGED.



## LOG LAYOUT

LOGS MUST BE POSITIONED ACCORDING TO THE FOLLOWING INSTRUCTIONS TO GIVE THE CORRECT FLAME EFFECT.

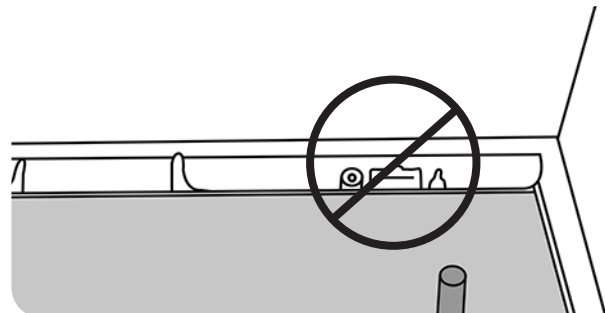
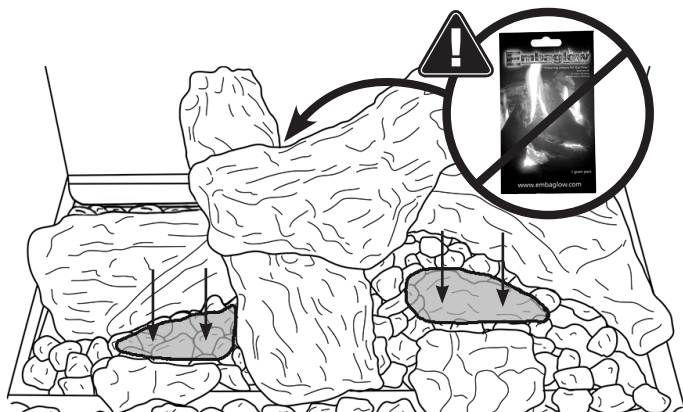




## Embaglow

**!** IT MAY NOT BE NECESSARY TO USE ALL THE EMBAGLOW IN THIS PACK. SPARINGLY SPREAD AN AMOUNT OF THE FIBRES PROVIDED ON THE SECTIONS HIGHLIGHTED IN THE INSTRUCTIONS. Take care not to use more than specified in the instructions.

**WARNING:**  
**DO NOT PLACE NEAR THE PILOT AREA.**  
 Do not place Embaglow in the area around the pilot burner - see highlighted example on diagram as this may effect the ignition process and flame picture.



## FLAME FAILURE DEVICE

This is a safety feature incorporated on this appliance which automatically switches off the gas supply if the pilot goes out and fails to heat the thermocouple.

**IF THIS OCCURS DO NOT ATTEMPT TO RELIGHT THE APPLIANCE FOR 3 MINUTES.**

## RUNNING IN

During initial use of a new Gazco appliance a strong odour will be encountered as various surface coatings become hot for the first time. Although these odours are harmless it is recommended that the appliance is operated on maximum for 4 to 8 hours in order to fully burn off these coatings. After this period the odours should then disappear.

If the odours persists, please contact your installer for advice.

During the first few hours of burning there may be discolouration of the flames. This will also disappear after a short period of use.

## SERVICING AND SUPPORT



### Servicing and Support

To keep your appliance looking and performing at its best, it must be serviced annually. This service must be undertaken by a suitably qualified individual and your retailer can organise this for you. Alternatively, Gazco offer a manufacturers premium service with our friendly team of qualified engineers which can be booked at [www.gazco.com/support](http://www.gazco.com/support)

In all correspondence always quote the Model number and the Serial number which may be found on the Commissioning Checklist (Page 3).

## VENTILATION

This appliance requires no additional ventilation.

## INSTALLATION DETAILS

Your installer should have completed the commissioning sheet at the front of this book. This records the essential installation details of the appliance. In all correspondence always quote the Model number and Serial number.

## HOT SURFACES

Parts of this appliance become hot during normal use. Regard all parts of the appliance as a 'working surface', except for the access to the controls.

Provide a suitable fire guard to protect young children and the infirm.

## CO ALARMS

Building regulations require that whenever a new or replacement fixed gas burning appliance is installed in a dwelling, a carbon monoxide alarm complying with BS EN 50291-1 (latest edition) must be fitted in the same room as the appliance. Further guidance and recommendations on the installation of carbon monoxide alarms is available in BS EN 50292 (latest edition) and from manufacturers' instructions.

**Provision of an alarm must not be considered a substitute for either installing the appliance correctly or ensuring regular servicing and maintenance of the appliance.**

## APPLIANCE LOCATION

Once the position of the appliance has been decided secure to the hearth.

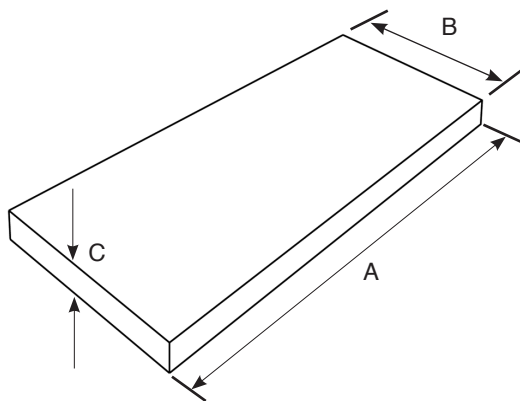
The non-combustible hearth must be at least 12mm thick, and project a minimum of 50mm from the base of the appliance in all directions.

**With the exception of Wall Mounted models, the appliance is not suitable for installation against a combustible wall.** Check minimum distances to combustible materials.

This appliance can be installed with an up and out flue (vertical wall - horizontal flue) or with a vertical flue with roof termination.

### HEARTH INSTALLATION (NOT APPLICABLE FOR BASE SECTION INSTALLATIONS)

Gazco recommend the hearth extends to the following dimensions.



DIMENSIONS	A	B	C
All Models	716mm	498mm	12mm

### BASE SECTION INSTALLATION

It is not necessary to site these products on a non-combustible floor but the floor must be flat and solid for the appliance to be levelled and secured in place.

This appliance may be situated anywhere in the room, but due consideration should be taken to ensure that it is sited within the constraints of the allowable flue configuration.

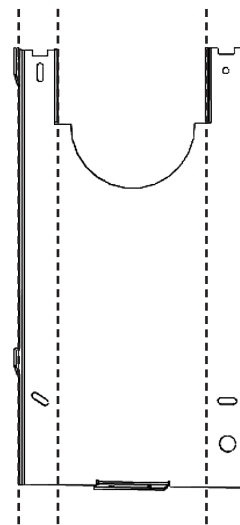
**DO NOT INSTALL APPLIANCE ON A CARPET.**

### SECURING THE APPLIANCE TO THE WALL (WALL MOUNTED MODELS ONLY)

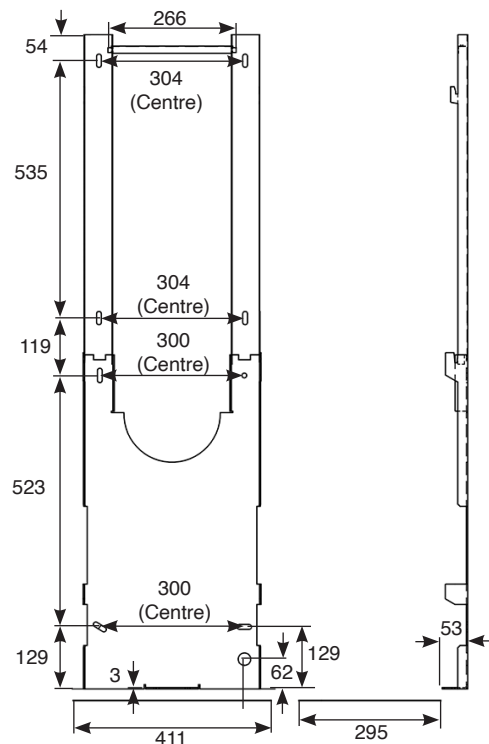


**WARNING: This appliance weighs 62kg.** The manufacturer has designed this appliance to attach to a masonry wall and all fixings supplied reflect this. If sitting on a studwork wall, the fixing points must be through the timber stud and not plasterboard. Use appropriate fixings. **DO NOT** attach solely to a plasterboard wall.

If installing on a studwork wall it is essential that the battens are located in the fixing area for the wall mounting bracket.



### MOUNTING BRACKET DIMENSIONS



## APPLIANCE LOCATION

### DISTANCE FROM FLOOR / HEARTH LEVEL



#### WALL MOUNTED MODELS:

It is necessary to leave a minimum gap of 100mm below the base of the Wall Mounted appliance to ensure servicing access. This product doesn't require a hearth when positioned a minimum of 100mm from the floor.

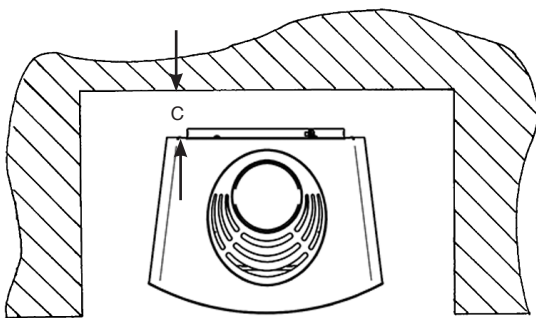
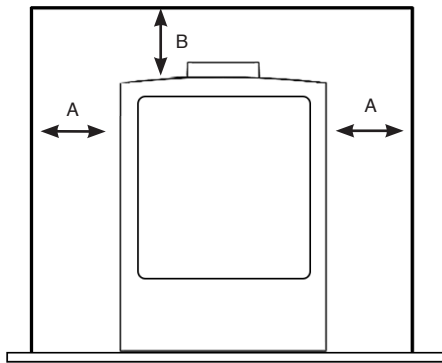
### MINIMUM CLEARANCE

**Freestanding appliances** are not suitable for installation against a combustible wall. **(NOT APPLICABLE FOR WALL MOUNTED MODELS.)**

Ensure that all minimum clearances to combustible materials are complied with, see Diagrams.

The specified clearances provide the minimum distance to combustible materials. If the appliance is intended to be installed into a non-combustible opening the clearance to the **sides and above** the appliance can be reduced.

However, it is recommended that the specified clearances are maintained to allow adequate air flow and access to controls. **The clearance at the rear of the appliance must always be a minimum of 50mm (NOT APPLICABLE FOR WALL MOUNTED MODELS).**



DIMENSION	LOFT FREESTANDING INSTALLATION	LOFT WALL MOUNTED INSTALLATION
A	150	150
B	225	400
C	50	0

## FLUE & CHIMNEY REQUIREMENTS

**Note: This appliance must only be installed with the flue supplied.**

The following: must be adhered to:

The flue must be sited in accordance with BS5440: Part 1 (latest edition).

Fit a guard to protect people from any terminal less than 2 metres above any access such as level ground, a balcony or above a flat roof.

All vertical and horizontal flues must be securely fixed and fire precautions followed in accordance with local and national codes of practice.

Two types of flue terminals are available, horizontal and vertical.

To measure for a horizontal terminal decide on the terminal position.

Measure the height from the top of the appliance to the centre of the required outlet.

For minimum and maximum flue dimensions see relevant sections.

Allow enough room either above or to the side of the appliance to assemble the flue on top.

Assemble a horizontal flue in the following order:

- Vertical section
- 90° elbow
- Horizontal plus terminal

Support the opening of a masonry installation with a lintel.

Only the horizontal terminal section can be reduced in size.

## TIMBER FRAMED BUILDINGS

It will be necessary to provide additional clearance when the flue passes through a wall containing any combustible materials so as to prevent a fire hazard.

The hole through which the flue will pass, must have a steel sleeve which is positioned so that an air gap of at least 25mm is maintained between the outer surface of the flue, and any part of the sleeve.

For further guidance on the installation of gas appliances in timber framed buildings, contact your local buildings control authority.

## GAS SUPPLY

**This appliance is intended for use on a gas installation with a governed meter.**

Make sure local distribution conditions (identification of the type of gas and pressure) and the adjustment of the appliance are compatible before installation.

Ensure the gas supply delivers the required amount of gas and is in accordance with the rules in force.

Soft copper tubing can be used on the installation and soft soldered joints outside the appliance.

A factory fitted isolation device is part of the inlet connection; no further isolation device is required.

All supply gas pipes must be purged of any debris that may have entered prior to connection to the appliance.

The gas supply must be installed in a way that does not restrict the removal of the appliance for servicing and inspection.

## VENTILATION

The installation of this product requires no additional ventilation modifications to the building.

## CO ALARMS

Building regulations require that whenever a new or replacement fixed gas burning appliance is installed in a dwelling, a carbon monoxide alarm complying with BS EN 50291-1 (latest edition) must be fitted in the same room as the appliance. Further guidance and recommendations on the installation of carbon monoxide alarms is available in BS EN 50292 (latest edition) and from manufacturers' instructions.

**Provision of an alarm must not be considered a substitute for either installing the appliance correctly or ensuring regular servicing and maintenance of the appliance.**

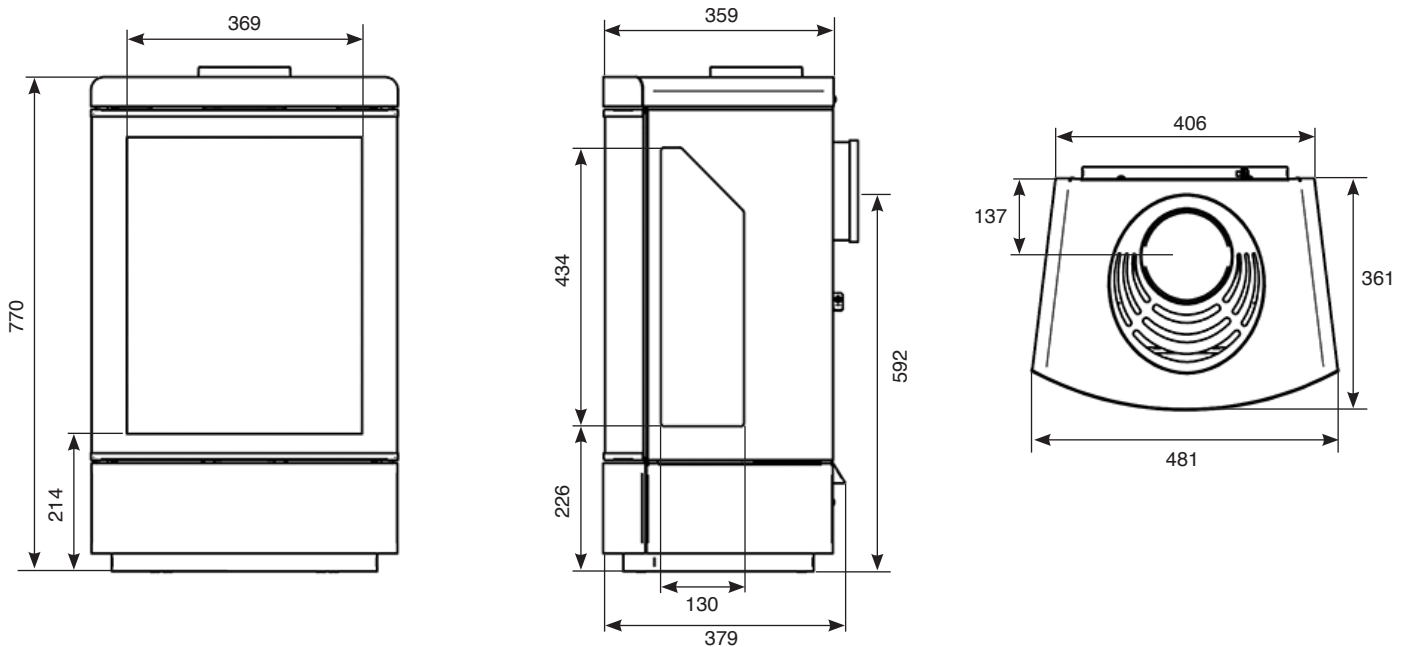
## DIMENSIONS

This appliance has been certified for use in countries other than those stated. To install this appliance in these countries, it is essential to obtain the translated instructions and in some cases the appliance will require modification. Contact Gazco for further information.

## PACKING CHECKLIST

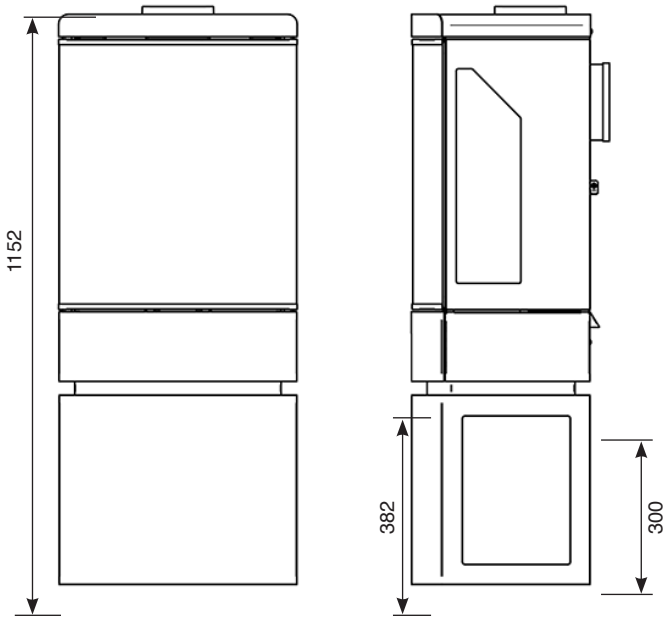
ALL MODELS	
Qty Description	Fixing Kit containing:-
1 x Loft Appliance 1 x Log Set (4 Logs) 1 x Lining Set	<p><b>All Models:</b>                      2 x No.8 Red Rawl Plugs                      1 x Battery Holder                      1 x Embaglow Packet                      1 x instructions                      2 x No.8 Screw                      4 x AA Batteries                      1 x 9v Battery                      1 x 70mm Restrictor</p> <p><b>Graphite Metal Plinth Only:</b>                      3 x M5x25 Hex Head Screws</p> <p><b>Top Extension Section Only:</b>                      4 x No.8 x 10 Screws</p> <p><b>Stone Plinth &amp; Log Store Only:</b>                      4 x Metal Rawl Plug                      4 x No.6 x 40 Coach Screw                      4 x 32mm Felt Pad</p>

### STANDARD MODEL

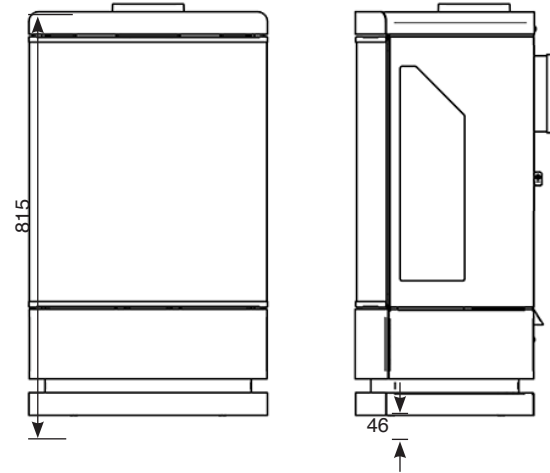


DIMENSIONS

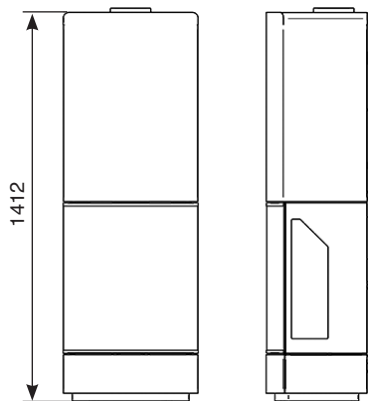
WITH LOG STORE BASE



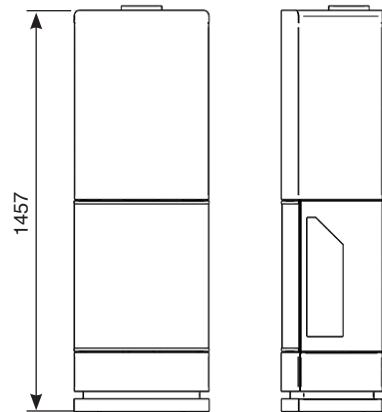
WITH PLINTH



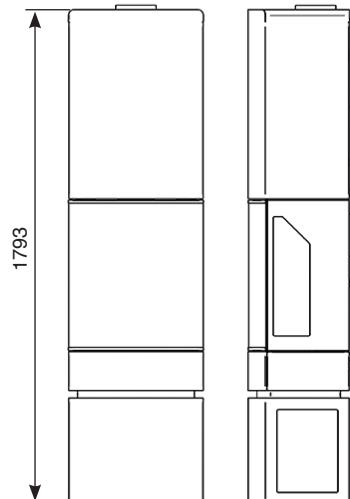
WITH TOP BOX



WITH TOP BOX AND PLINTH



WITH LOG STORE BASE AND TOP BOX





## TECHNICAL SPECIFICATION

MODEL	APP CAT.	GAS TYPE	WORKING PRESSURE	AERATION	INJECTOR	GAS RATE M <sup>3</sup> /H	INPUT KW (GROSS)		COUNTRY
							HIGH	LOW	
<b>Loft Nat Gas</b>	I <sub>2</sub> H	G20	20mbar	8mm x 2	440	0.543	5.7	3.5	GB, IE
<b>Loft LPG</b>	I <sub>3</sub> P	G31	37mbar	No Plate Fitted	111	0.173	4.8	2.9	
Rear Exit Wall Thickness - Min 200mm/ Max 550mm									
Efficiency Class 1 - 94.3%									
Flue Outlet Size ø 100mm, Flue Inlet Size ø 150mm									
Gas Inlet Connection Size ø 8mm									

**i** The net efficiency of this appliance has been measured as specified in EN613:2001 and the result after conversion to gross using the appropriate factor from Table E4 of SAP 2012 is 84.9%. The test data has been certified by Kiwa Nederland B.V. The gross efficiency value may be used in the UK Government's Standard Assessment Procedure (SAP) for energy rating of dwellings.

### RESTRICTOR REQUIREMENT - NAT GAS/ LPG

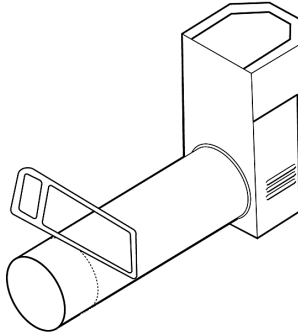
VERTICAL & HORIZONTAL FLUE			TOP EXIT - VERTICAL ONLY INCLUDING OFFSET	
Vertical Flue Height	Horizontal Length	Restrictor Size	Vertical Flue Height	Restrictor Size
500mm - 999mm	250mm - 1000mm	No restrictor	2000mm - 4999mm	Ø 52mm
1000mm - 1499mm	250mm - 1000mm	Ø 70mm	5000mm - 10,000mm	Ø 47mm
1500mm - 3000mm	250mm - 5000mm	Ø 60mm		

## SITE REQUIREMENTS

### REAR FLUE

This flue extends horizontally from the back of the appliance.

ALL MODELS (8526)



Terminal dimensions:  
395 x 200 x 200 mm (H x W x D)  
Guard supplied  
Cut to length as required on site, see Flue Section.

### TOP FLUE

There are two types of flue terminal: **Horizontal** and **Vertical**.

#### FOR HORIZONTAL TERMINAL INSTALLATIONS:

Decide on the terminal position.

Measure the height from the top of the appliance to the centre of the required hole. For minimum and maximum dimensions see All Up and Out Diagrams.

To fit the flue access is required to the top or the side of the appliance to connect the flue.

Assemble the vertical sections making sure the top plate and flue collar are fitted before the flue pipe.

Add the 90° elbow.

Add the horizontal section and terminal.

**Only the horizontal terminal can be reduced in size.**

A masonry installation requires the addition of a suitable lintel to support the opening. Refer to Technical Information for details of the flue length

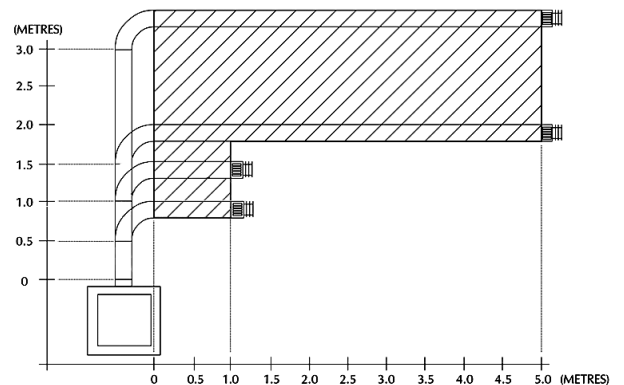
#### TOP FLUE UP AND OUT KIT

This flue rises vertically from the top of the appliance, then continues horizontally outward.

The basic kit comprises:

ALL MODELS (8523/8523AN)

- 1 x 500mm vertical length
- 1 x 500mm terminal length
- 1 x 90 degree elbow
- 1 x wall plate
- 1 x 52mm restrictor
- 1 x 60mm restrictor
- 1 x 75mm restrictor
- 4 x fixing screw



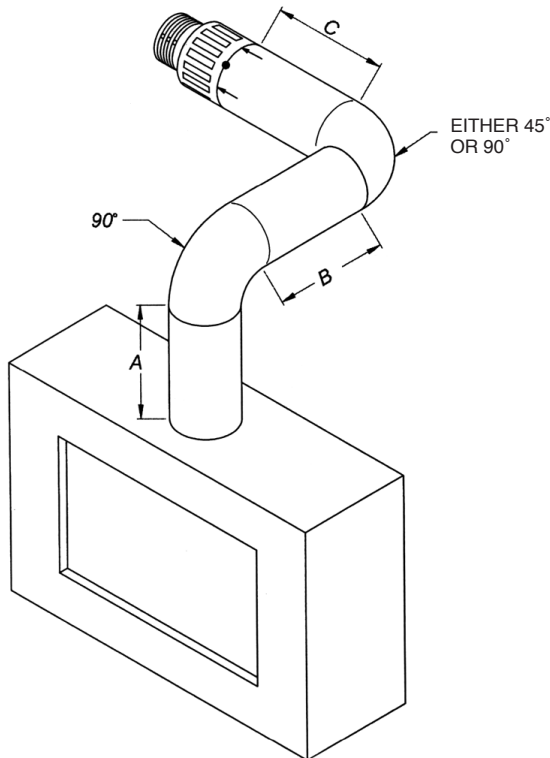
This kit provides the minimum materials. Extra lengths can be added to the vertical and horizontal sections.

Refer to Technical Specification to identify when to use a restrictor.

## SITE REQUIREMENTS

### TOP FLUE UP AND OUT WITH ADDITIONAL BEND

An additional bend can be used on the horizontal section (45° or 90°) but the overall horizontal flue is reduced.



When A = 1.0 to 1.499 metres B+C = 1.0 metre max (Nat Gas - No restrictor, LPG - 75mm Restrictor)  
 When A = 1.499 to 3.0 metres B+C = 4.0 metres max (Nat Gas - 70mm restrictor, LPG - No restrictor)

### TOP FLUE VERTICAL KIT

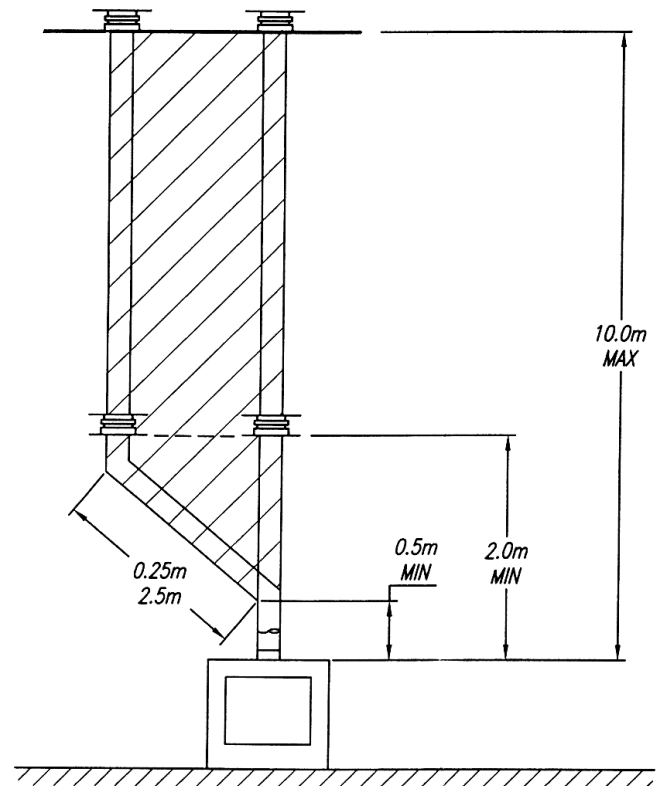
This flue is vertical from the top of the appliance, see Diagram. A minimum vertical rise of 2m to a maximum of 10m.

8524/8524AN

The basic kit comprises:  
 2 x 1m lengths  
 1 x vertical Flue Terminal  
 1 x 1m terminal lengths  
 1 x 52mm restrictor  
 1 x 47mm restrictor  
 1 x 60mm restrictor  
 1 x 70mm restrictor

Extra lengths can be added.

Refer to Technical Specification to identify when to use a restrictor.



**IMPORTANT:**  
 1M VERTICAL, TERMINAL AND STRAIGHT FLUE LENGTHS MUST NOT BE CUT!

### TOP FLUE VERTICAL OFFSET KIT

8530/8530AN

Used with kit 8524. A minimum rise of 500mm is required to the first bend, see Diagram.

### OPTIONAL EXTRA FLUE LENGTHS AND BENDS

NOMINAL LENGTH	ACTUAL LENGTH	STAINLESS FINISH	ANTHRACITE FINISH
200mm	140mm	8527	8527AN
500mm	440mm	8528	8528AN
1000mm	940mm	8529	8529AN
45° Bend	N/A	8507	8507AN
90° Bend	N/A	8508	8508AN
Optional Flue Collar		8548MB	

## INSTALLATION

### SAFETY PRECAUTIONS

This appliance must be installed according to local and national codes of practice. Failure to install the appliance correctly could lead to prosecution. **Read these instructions before installing and using this appliance.**

These instructions must be left intact with the user.

Do not attempt to burn rubbish on this appliance.

Keep all plastic bags away from young children.

Do not place any object on or near to the appliance and allow adequate clearance above the appliance.

**IF THE APPLIANCE IS EXTINGUISHED OR GOES OUT IN USE, WAIT 3 MINUTES BEFORE ATTEMPTING TO RELIGHT THE APPLIANCE.**



**IMPORTANT: REFER TO DATA BADGE AND TECHNICAL SPECIFICATION AT THE FRONT OF THE MANUAL TO ENSURE THE APPLIANCE IS CORRECTLY ADJUSTED FOR THE GAS TYPE AND CATEGORY APPLICABLE IN THE COUNTRY OF USE.**

### TOP OR REAR EXIT

The appliance is supplied as a top exit configuration. Before locating the appliance choose the correct flue outlet position.

#### WITHOUT A TOP BOX

Ensure the flue is in the correct configuration.

#### TOP BOX SECTION

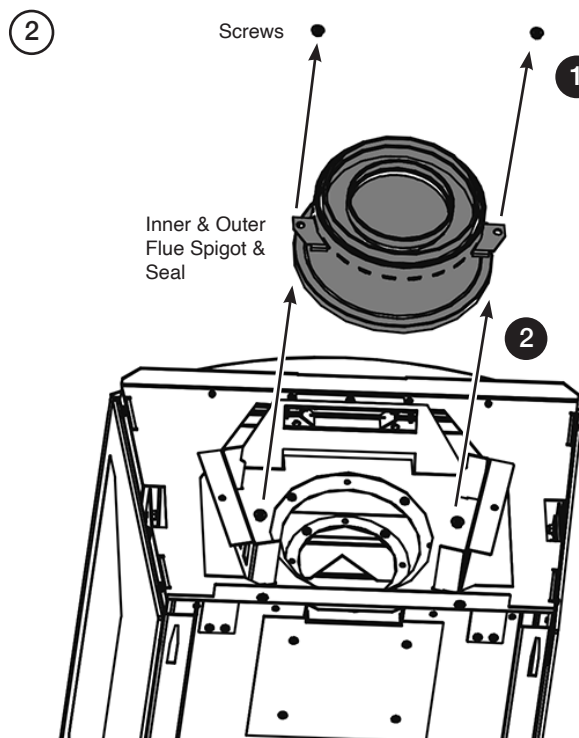
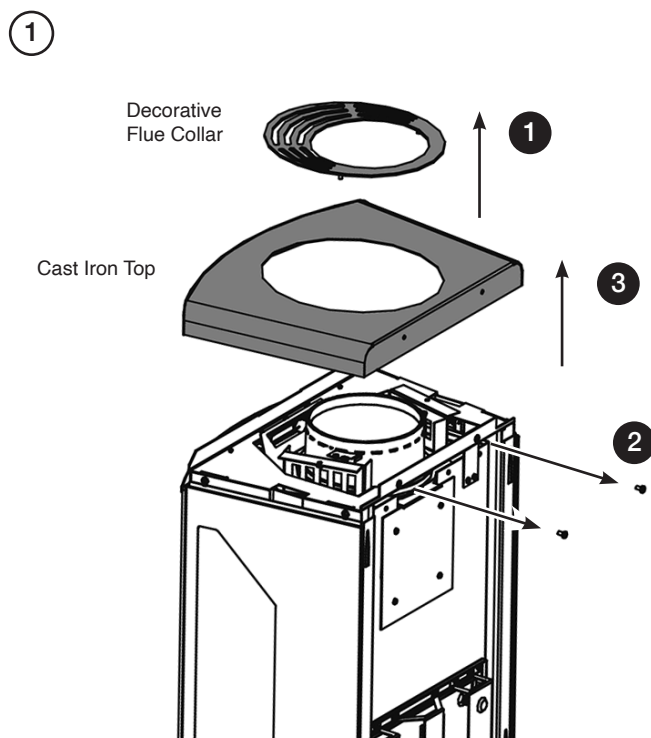
##### All Flue Installation types

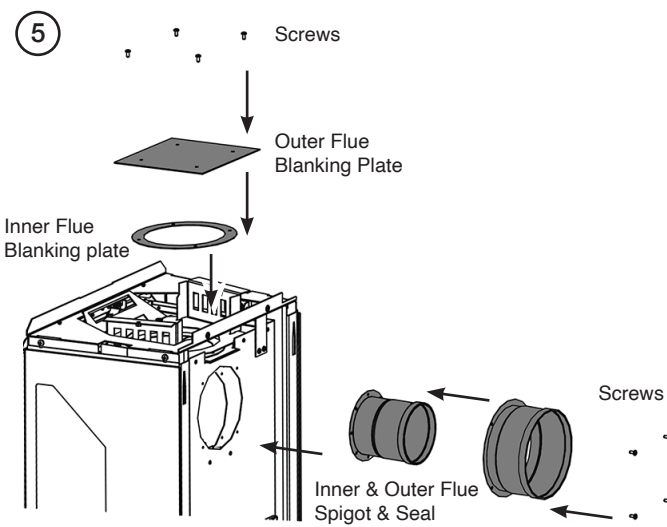
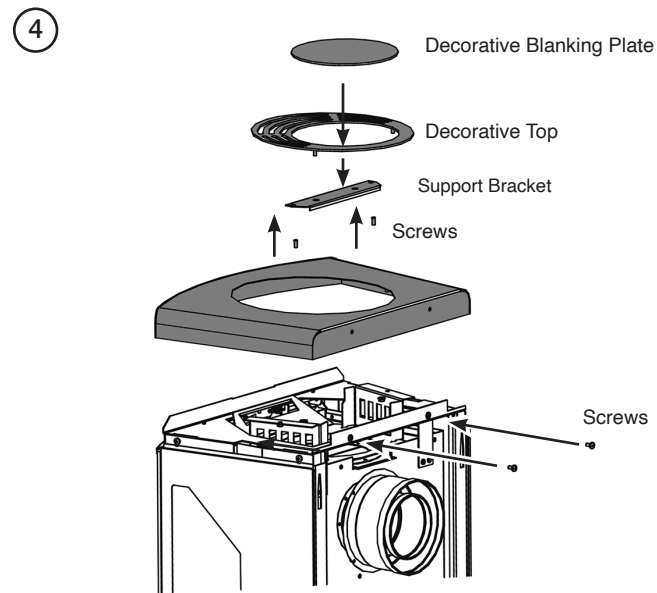
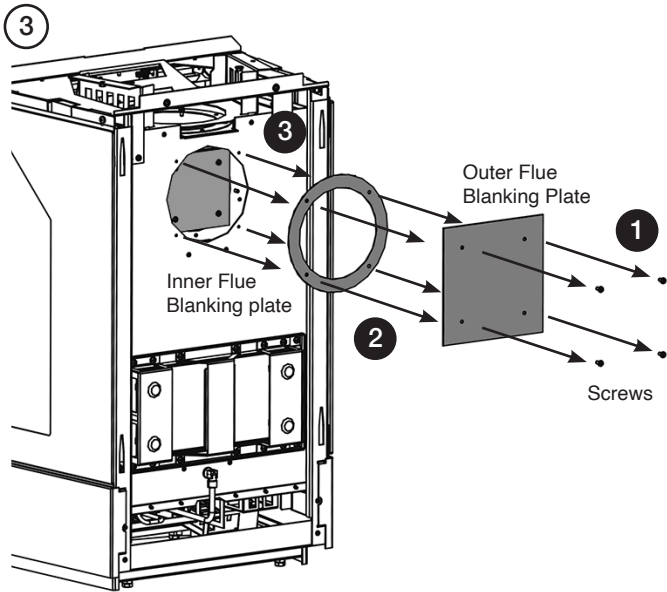
Note: Installation is easier with the door removed



**Please note: As an optional extra Gazco can provide a mains adapter to supply constant power to the appliance control box instead of the battery pack.**

**If installing an appliance with the adapter make provision for a mains power socket within 1.5m of the control box and follow the instructions provided.**



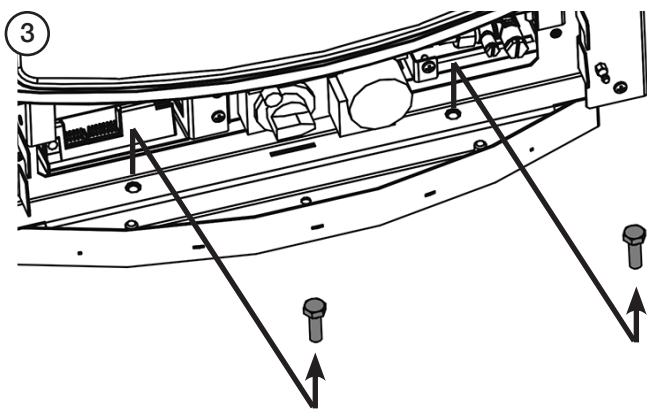
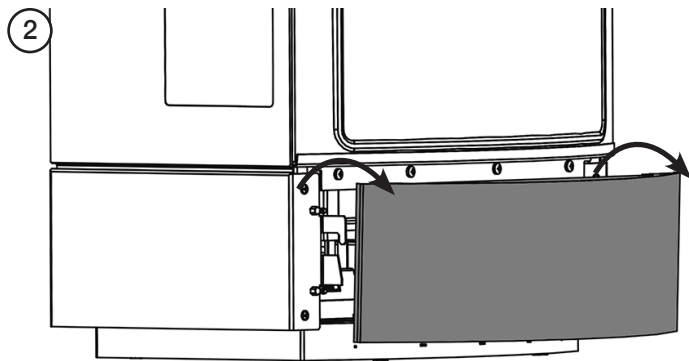
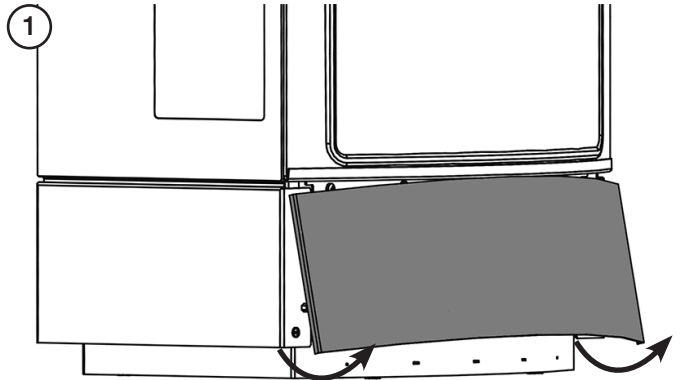


SECURING THE APPLIANCE

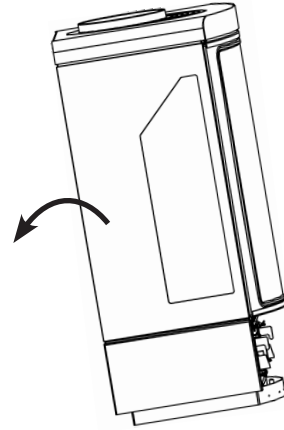


**IMPORTANT: THE OUTER PANELLING OF THE GAZCO LOFT IS MADE FROM CAST IRON. USE CAUTION WHEN INSTALLING, REMOVING AND STORING AS THE COMPONENTS ARE HEAVY AND SHOULD BE HANDLED CAREFULLY.**

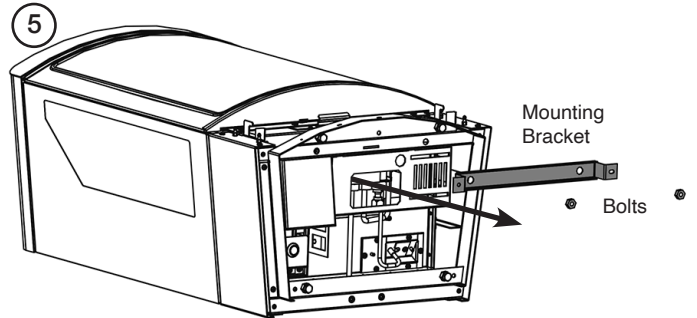
ALL MODELS



4

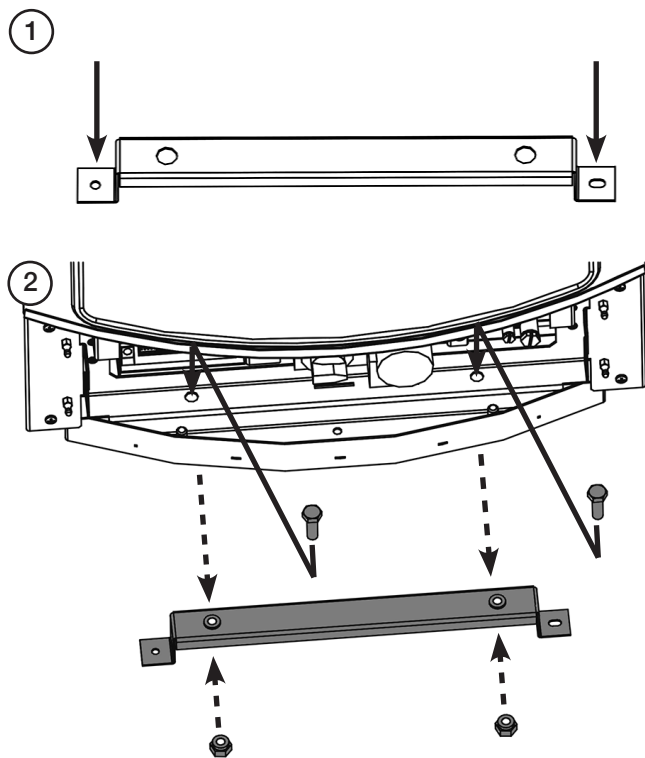


5

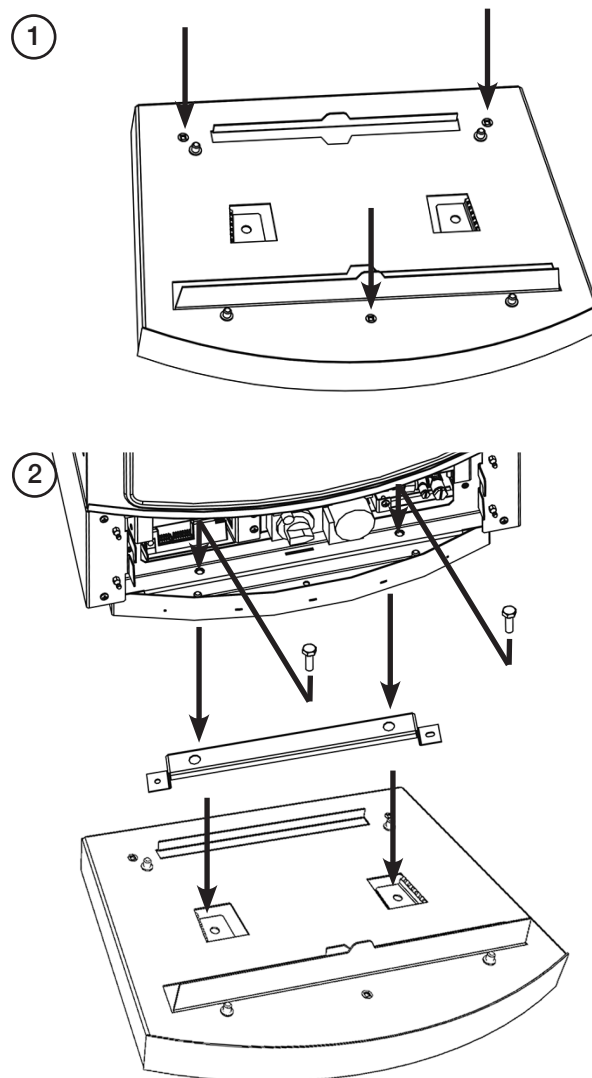


SECURING THE APPLIANCE

DIRECT TO HEARTH

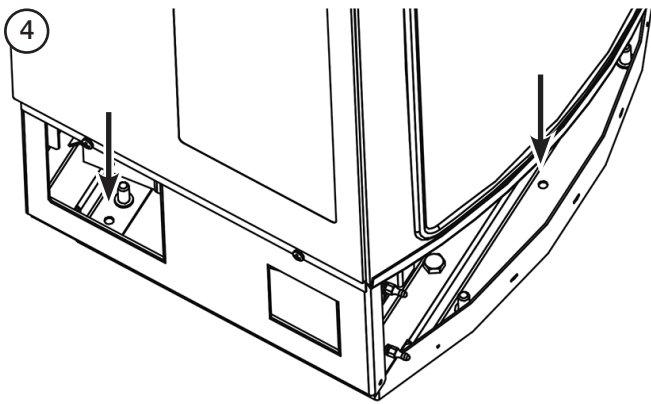
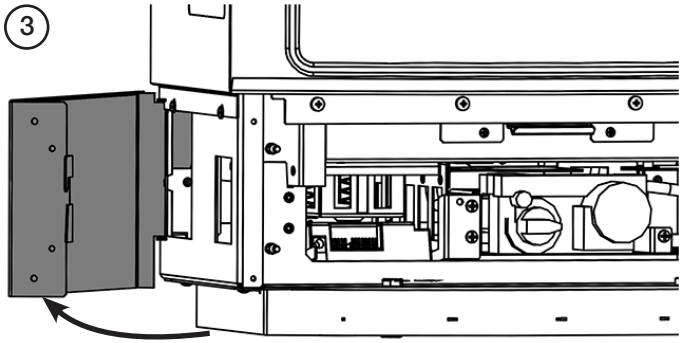


PLINTH FIXING

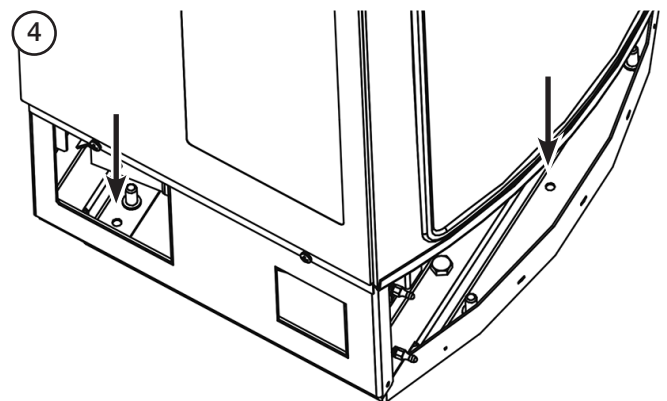
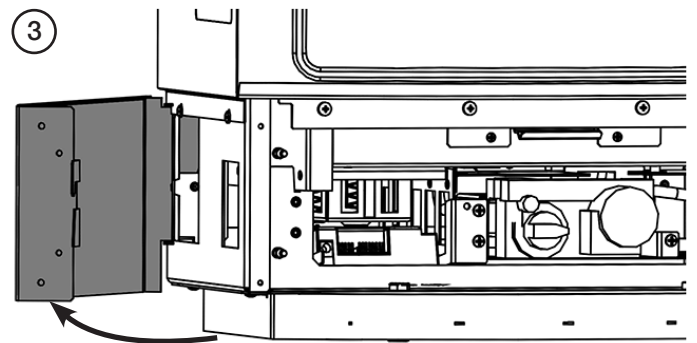
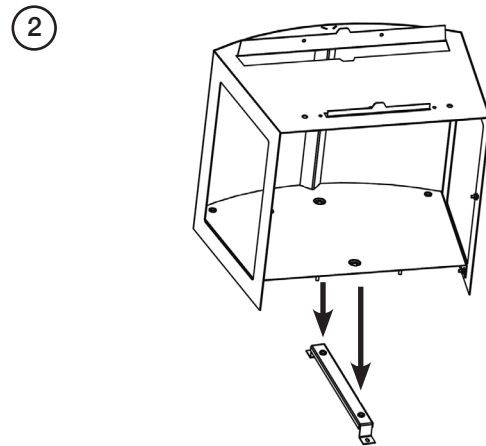
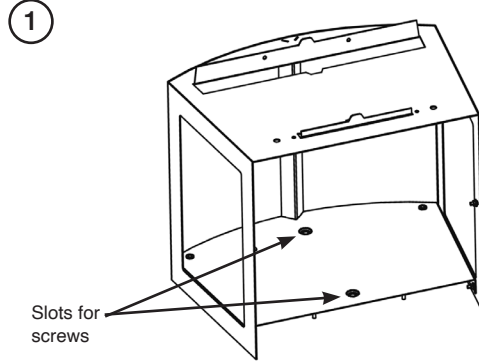


**NOTE:** If fitting with a stone plinth it will be necessary to place the screw threads in the fixing holes in the stone and apply felt pads to the underside before siting the appliance.

SECURING THE APPLIANCE

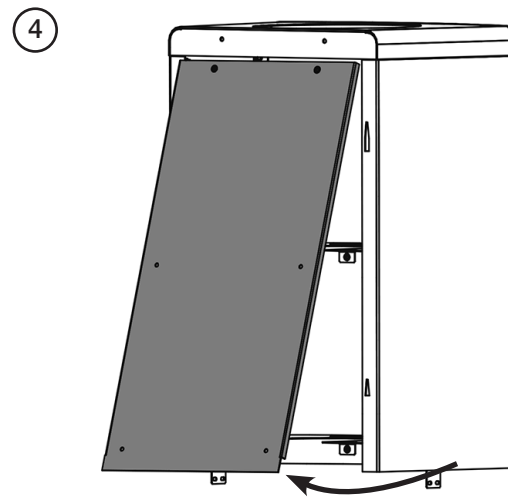
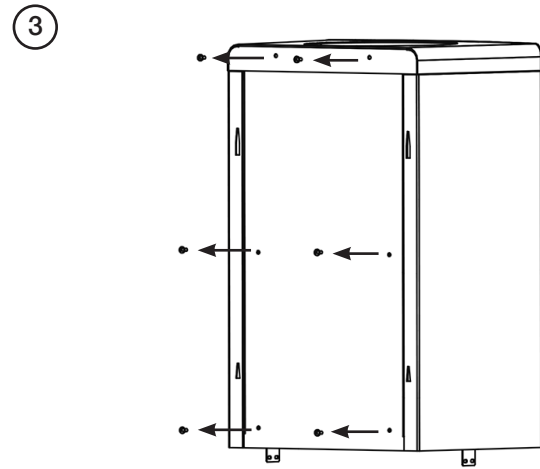
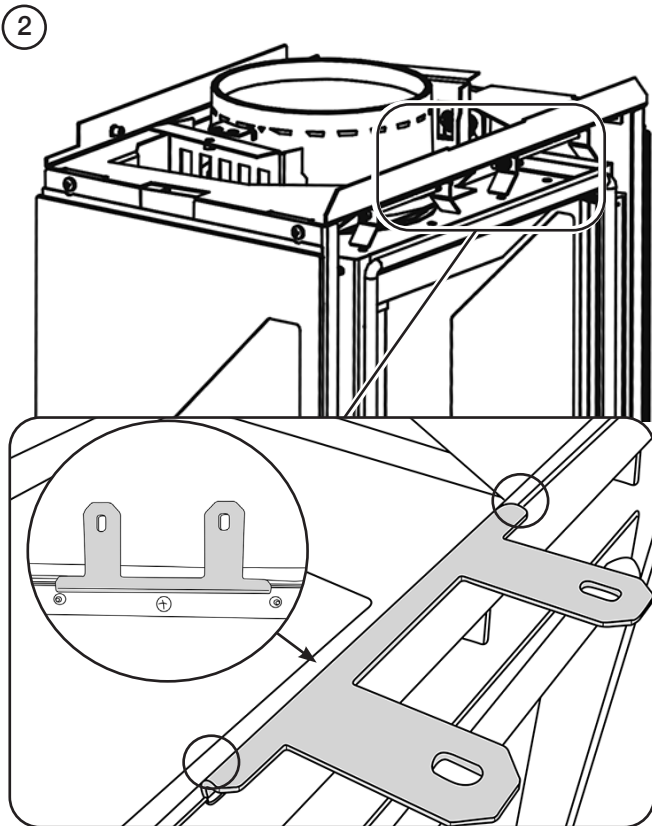
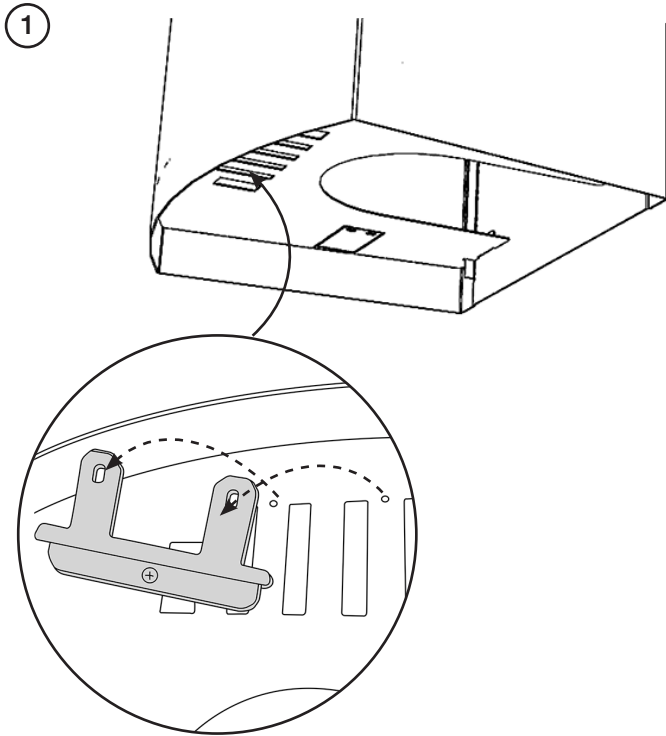


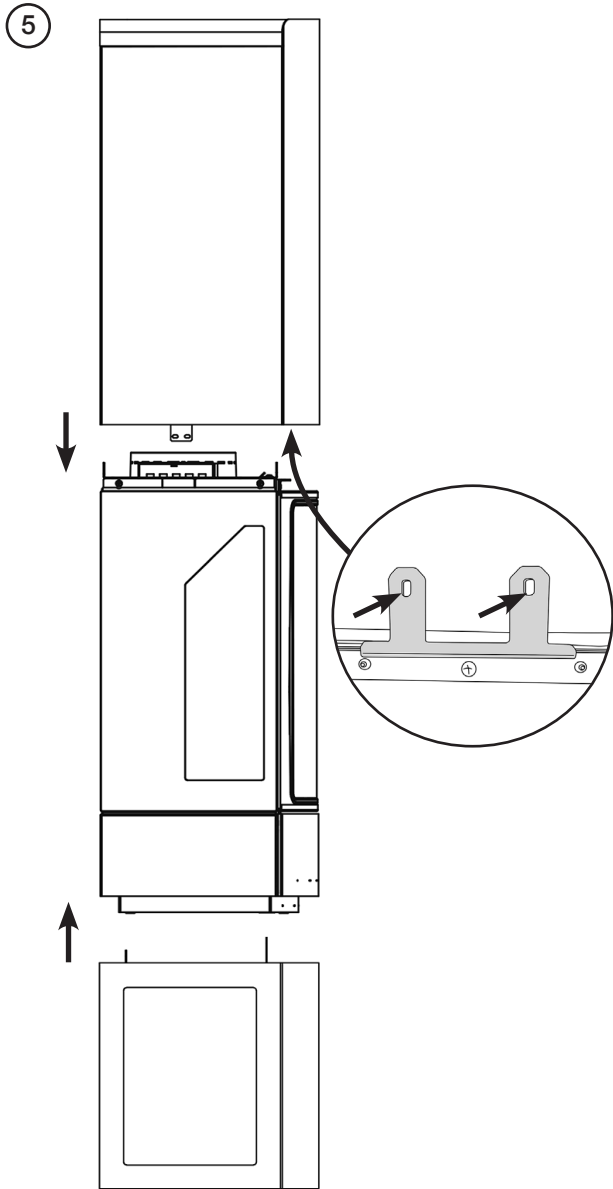
BASE SECTION FIXING



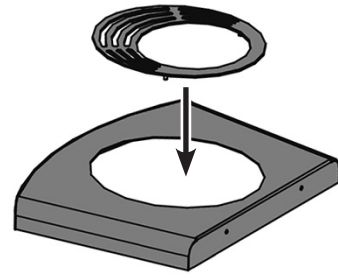


INSTALLING THE APPLIANCE

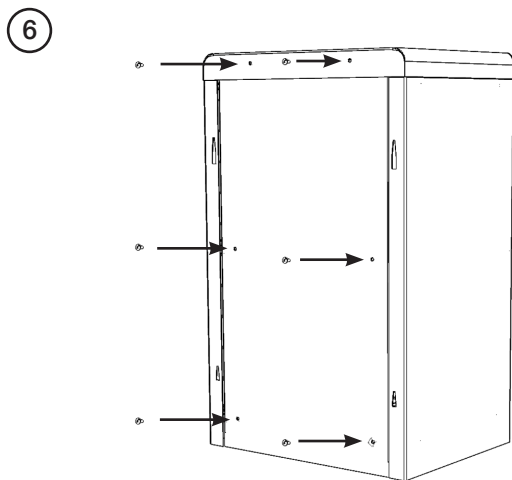
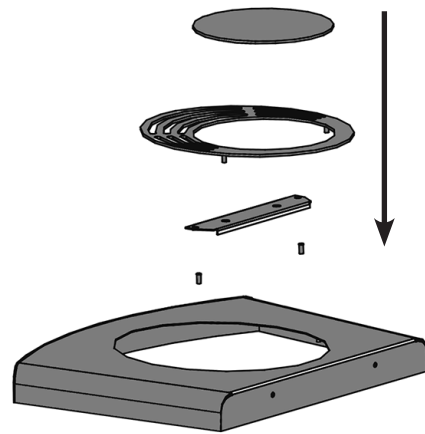




TOP EXIT



REAR EXIT



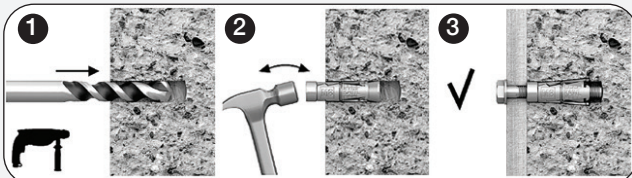
## SECURING THE APPLIANCE TO THE WALL

### WALL MOUNTED MODELS ONLY

**i** The Loft is secured to the wall with the use of an optional Wall Mounting kit. Part No. 948-191.

**!** **WARNING:** This appliance weighs 62kg. The manufacturer has designed this appliance to attach to a masonry wall and all fixings supplied reflect this. If siting on a studwork wall, the fixing points must be through the timber stud and not plasterboard. Use appropriate fixings. **DO NOT** attach solely to a plasterboard wall.

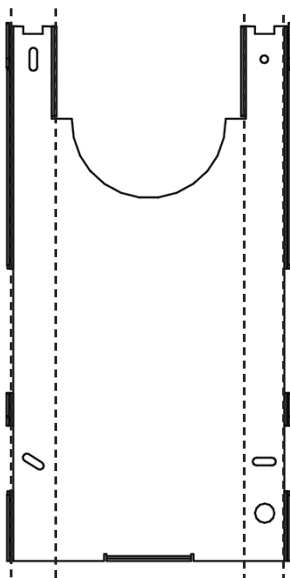
**i** The fixings supplied for the Wall Mounted Kit are R-RBL Rawlbolts and should be fitted in the method described below.



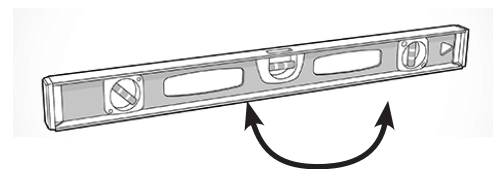
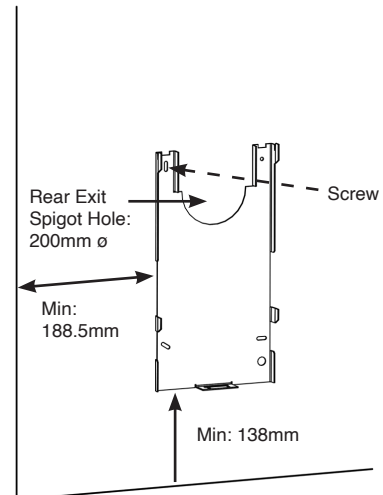
Ensure a minimum substrate thickness of 100mm.

1. Drill a hole - Diameter: 14mm x Depth: 65mm.  
Note: When fixing into brickwork, mortar joints should be avoided  
Remove debris and thoroughly clean hole with brush and pump
2. Remove pre-assembled bolt and washer. Insert shield into hole and tap home with hammer until flush with surface
3. Insert bolt with washer through fixture into the shield  
Tighten to 15Nm torque.

If installing on a studwork wall it is essential that the battens are located in the fixing area for the wall mounting bracket.



1



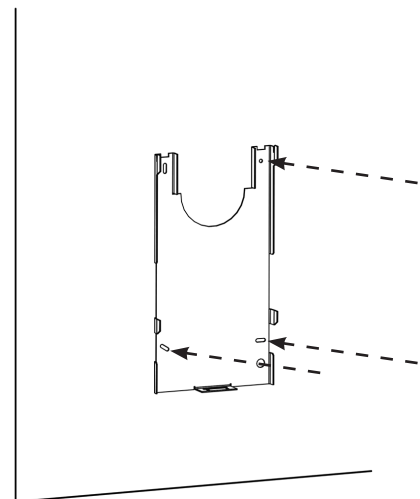
**!** **IMPORTANT:** If it is required to access the rear explosion relief for servicing the appliance must first be removed from the wall.

Mark the remaining 3 holes.

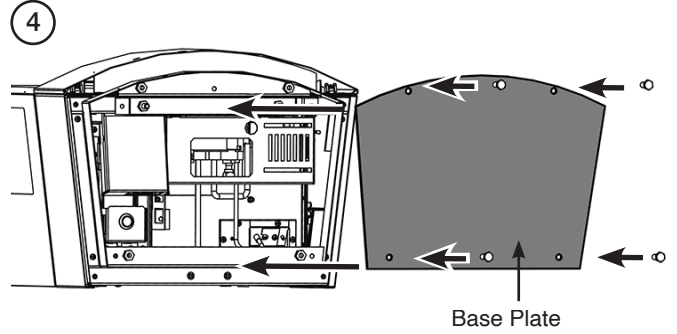
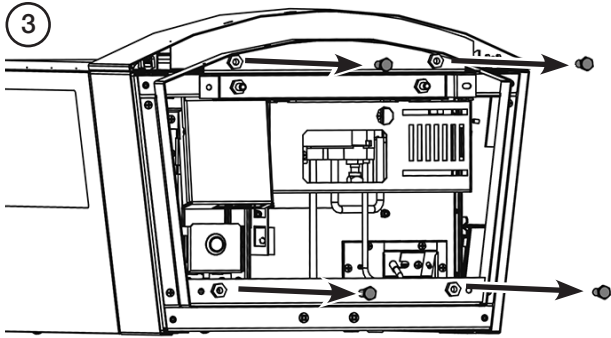
Remove the wall mounting bracket and drill the fixing holes.

Cut a hole for the flue exit.

2



SECURING THE APPLIANCE TO THE WALL



WITHOUT A TOP BOX

WITH A TOP BOX

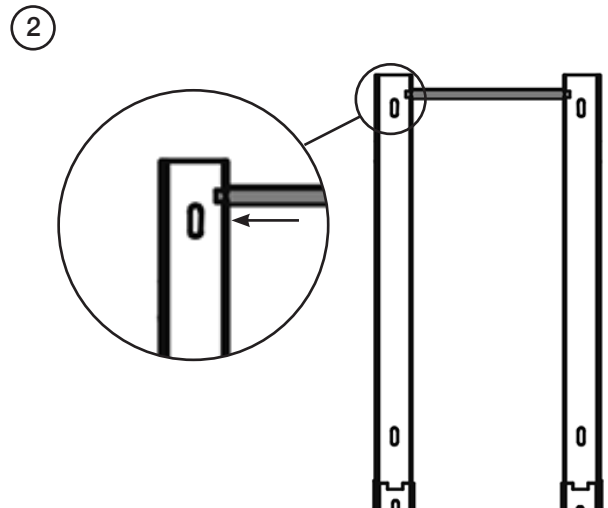
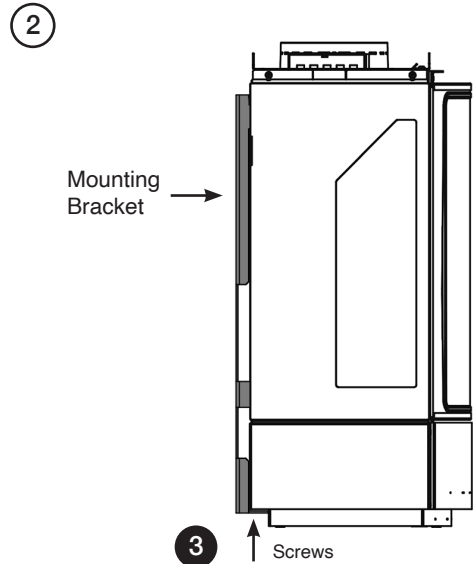
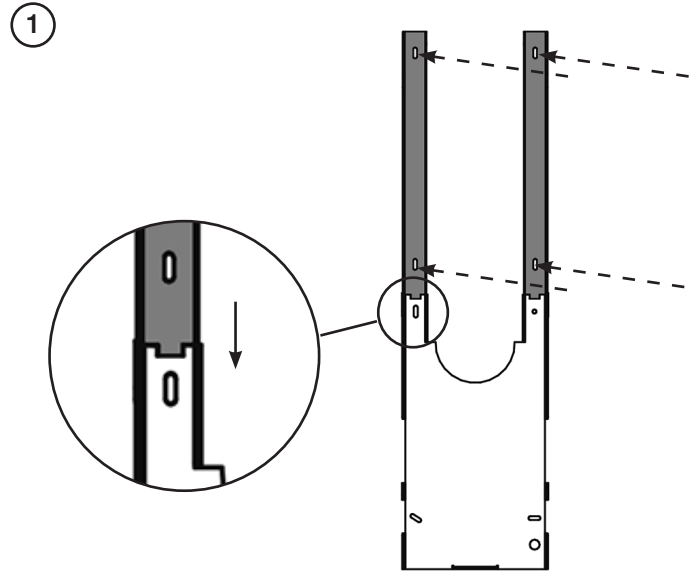
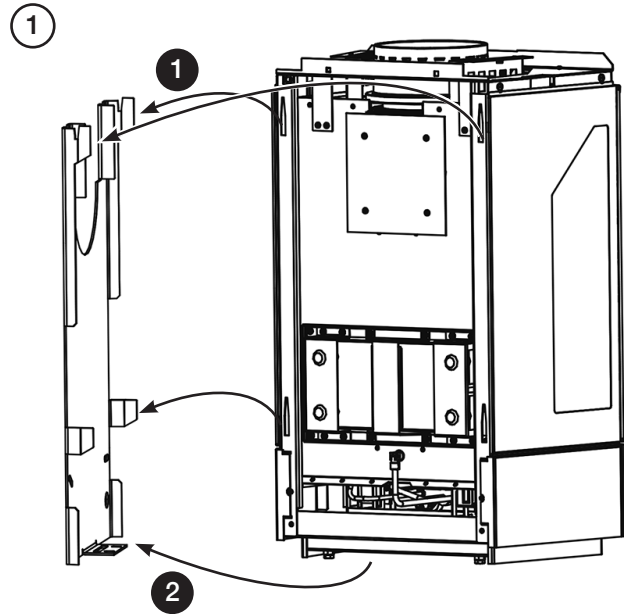


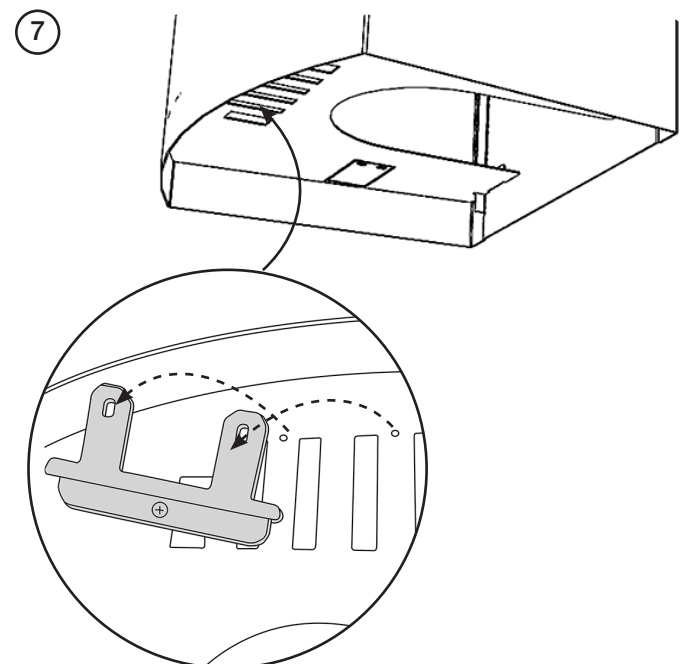
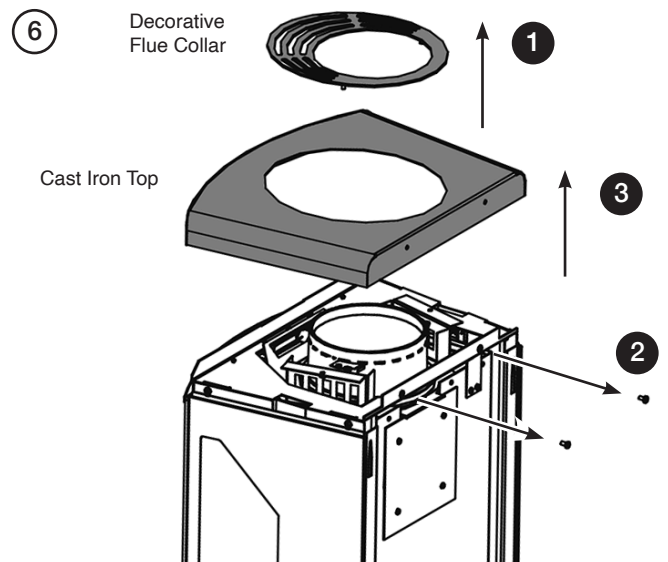
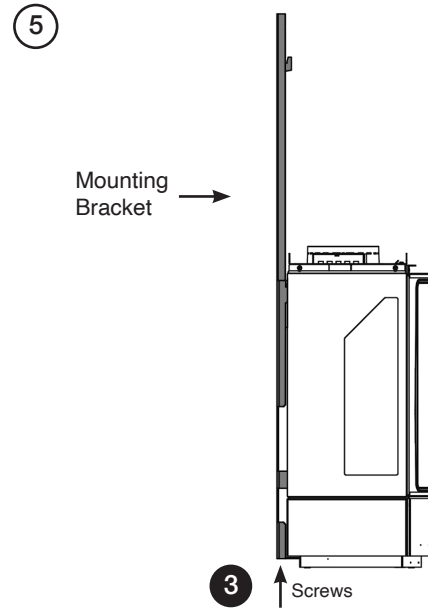
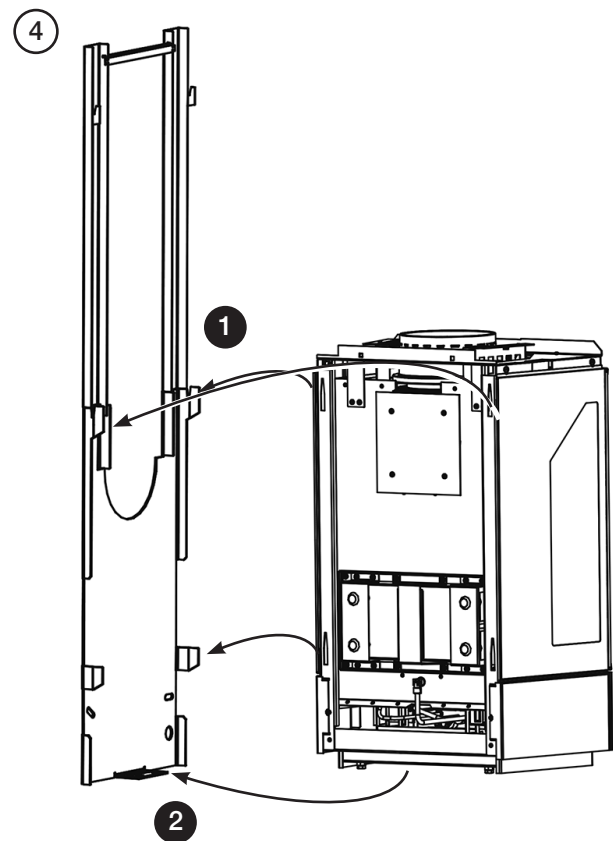
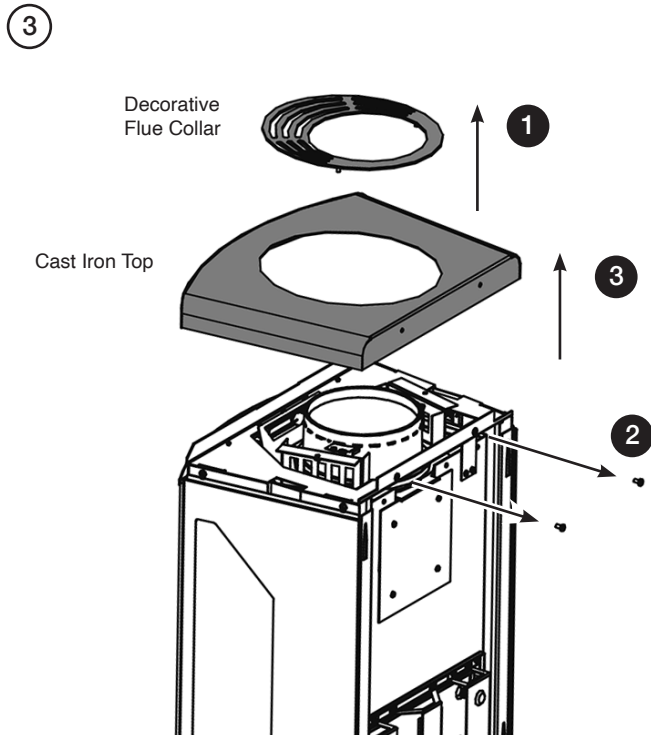
**WARNING:** This appliance is heavy and should be handled with care. Two people must be used to lift this appliance.

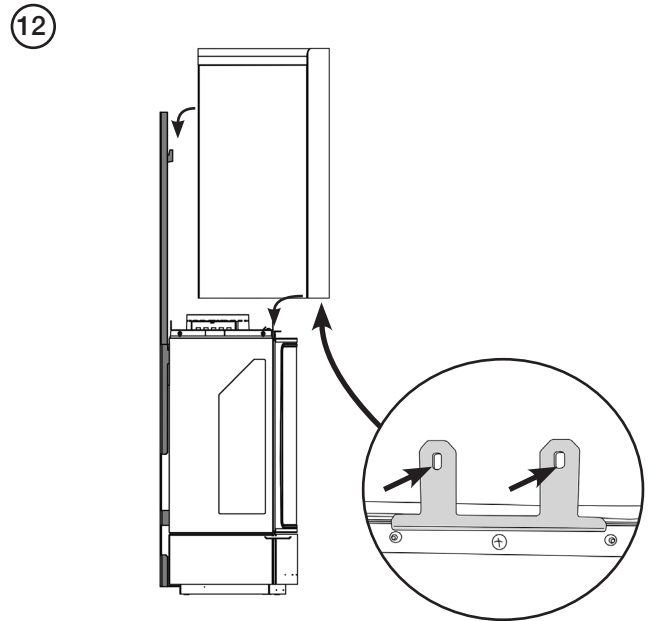
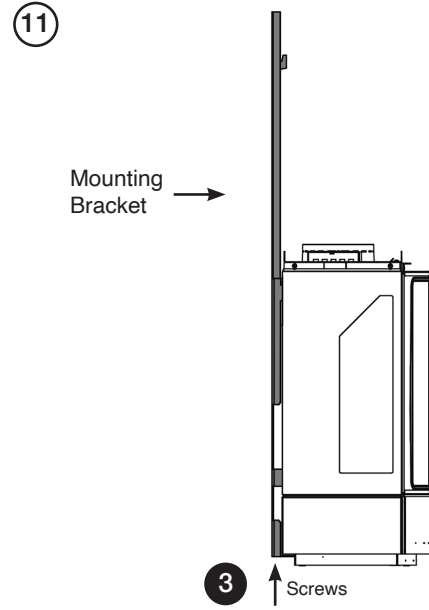
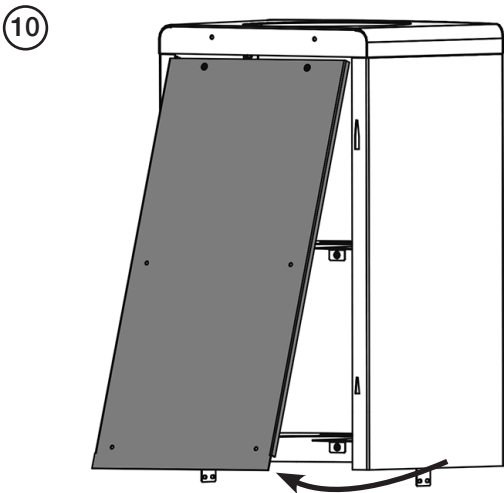
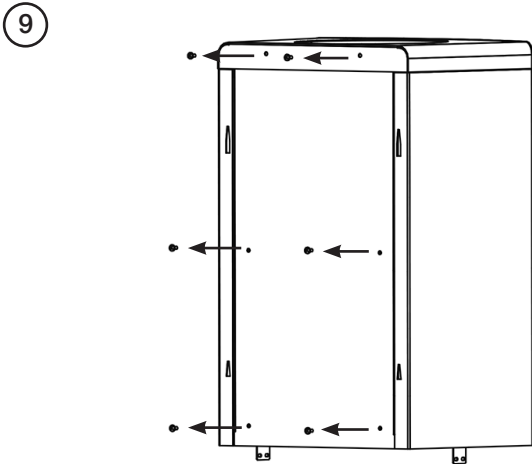
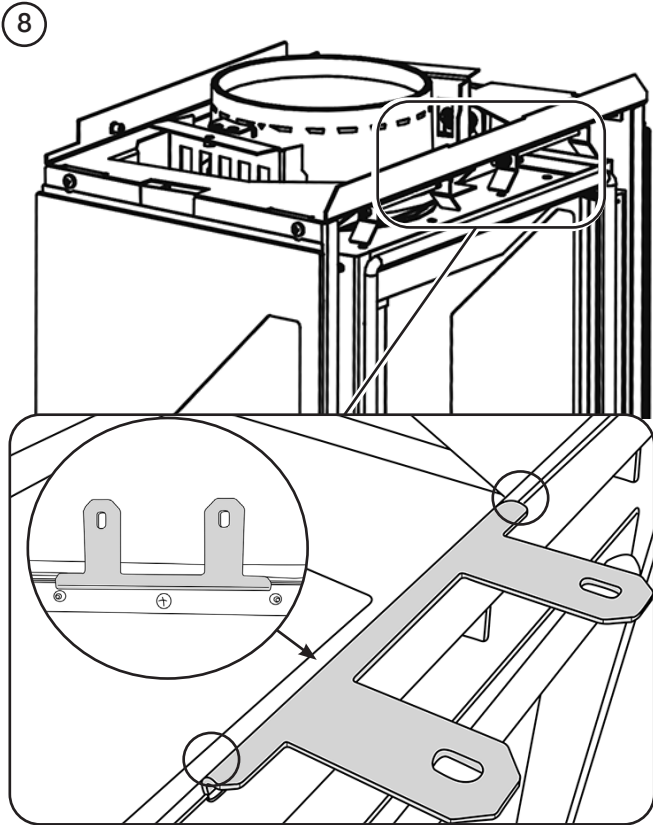


Measure the desired height from the floor and ceiling to ensure there is room. Wall Mounted appliances must be a minimum of 100mm from the floor.

Note: Installation is easier with the door removed.





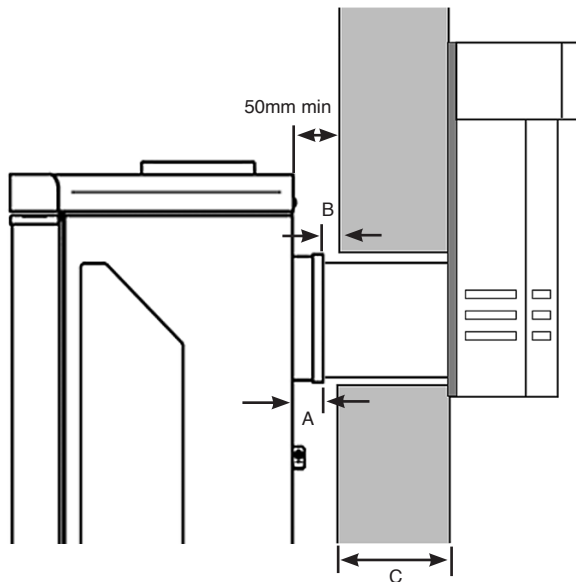


## FLUE ASSEMBLY

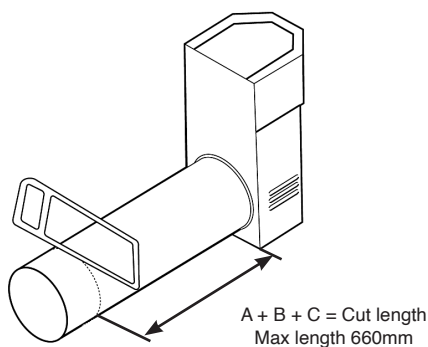
Refer to **Site Requirements** for more details..

### REAR EXIT - HORIZONTAL FLUE

#### FLUE LENGTH



DIMENSION	A	B	C
	45mm	15mm	Wall Thickness (Min 150mm Max 595mm)



Measure the total wall thickness to give Dimension C.  
Add Dimensions A+B+C to give the total required length of the flue pipe. This will give the correct engagement to the appliance spigot and maintain the minimum distance between the appliance and the internal wall.

#### WALL MOUNTED MODELS:

Measure the total wall thickness and add 25mm.  
Insert the cardboard sleeve into the flue to support the inner tube.

#### ALL MODELS

Insert the square cardboard sleeve into the flue to support the inner tube.

Cut through the flue and sleeve.

#### REMOVE THE CARDBOARD REMNANTS FROM THE FLUE.

File the cut edges smooth.

#### WALL MOUNTED BRACKET ONLY

Using the wall mounting bracket as a template, cut a 200mm  $\phi$  hole on the internal wall only.  
Cut a 150mm hole on the outer wall for the terminal exit.

Fit the flue as detailed.

#### ALL MODELS

#### TERMINAL

On the outside wall:

Position the flue assembly into the hole. The terminal should be flat against the wall.

Make sure the terminal is vertical.

Mark the four fixing holes.

Remove the terminal to drill the holes.

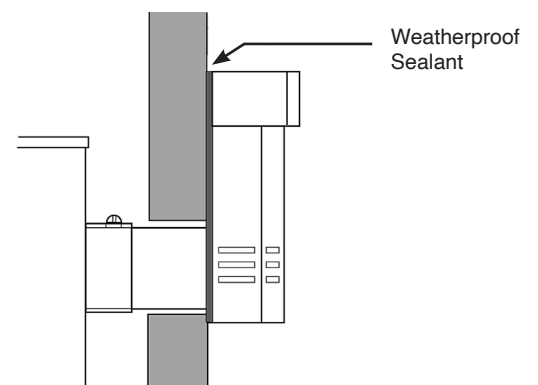
Insert wall plugs supplied.

#### DO NOT FIX THE FLUE AT THIS STAGE.

#### FLUE AND APPLIANCE FIXINGS

Position the appliance observing appropriate clearances.

Apply a bead of suitable weatherproof sealant (silicone or similar) to perimeter of back face of terminal.



Feed the flue through the wall, making sure it runs smoothly.

## FLUE ASSEMBLY

On the inside wall:

Engage the flue in the inner and outer spigots.

Make sure rubber seal on the spigot is not damaged.

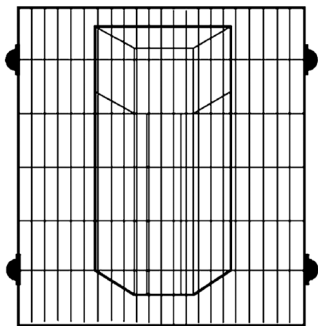
NOTE: There is no seal on the inner ring.

From outside:

Insert four screws in the flanges of the flue terminal.

Check sealant has formed a water-tight joint to the wall.

Any terminal less than 2m above any access (level ground, balcony or flat roof with access) must be fitted with the guard supplied.



### TOP EXIT - UP & OUT



**ENSURE THE BLACK DECORATIVE TOP AND COLLAR ARE FITTED TO THE TOP OF THE APPLIANCE PRIOR TO INSTALLATION OF A TOP FLUE EXIT. THIS MUST BE POSITIONED BEFORE INSTALLING THE FLUE.**



**A restrictor may be required with top exit flues. See Technical Specification for restrictor sizes.**

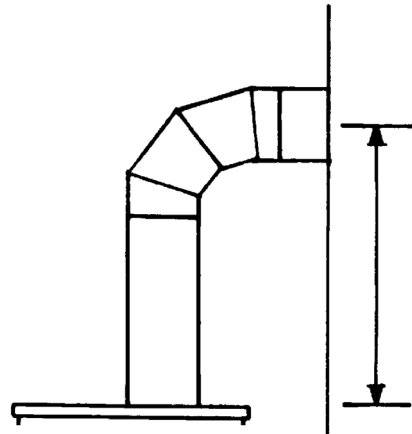
### WALL PLATE

A wall plate is supplied to secure the flue to the inside wall. Bend the securing tab to 90° and slot the plate over the flue before bringing the flue through the wall.

Mark the fixing holes using the wall plate as a template. The tab can be above or beneath the flue.

### FLUE APERTURE

Mark the height from the top of the appliance to the centre of the horizontal section.



**TAKE CARE TO MARK OUT THE FLUE CORRECTLY. IT IS DIFFICULT TO MOVE AFTER INSTALLATION.**

Create a 152mm diameter hole for the flue using either:

- a core drill, or
- a hammer and chisel

Make good at both ends of the hole.

### FLUE LENGTH

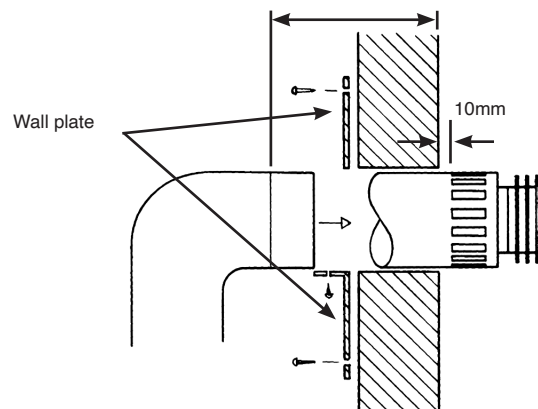
The final length of the flue pipe includes the terminal.

The terminal is the only section that can be shortened.

**DO NOT SHORTEN ANY OTHER SECTION OF FLUE PIPE.**

Measure from the outside of the wall to the stop on the 90° elbow.

Fit horizontal flue section between the elbow and the terminal at this stage, if required.



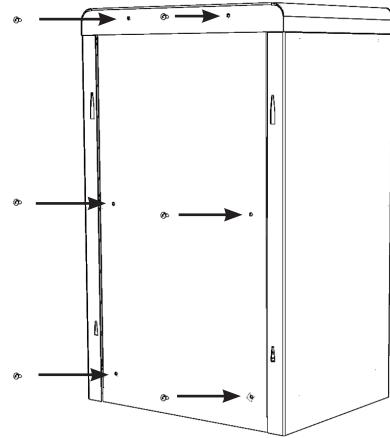
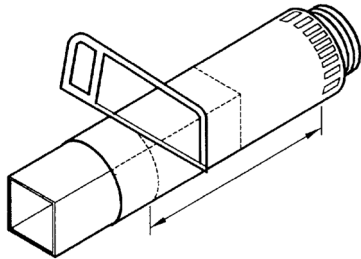
Mark the correct length all the way around the flue terminal section.



## FLUE ASSEMBLY

Insert the square cardboard sleeve into the flue to support the inner tube.

Cut through the flue and sleeve.



### REMOVE THE CARDBOARD REMNANTS FROM THE FLUE.

File the cut edge smooth.

### FLUE AND APPLIANCE FIXINGS

Pull appliance and flue assembly away from the hearth.

Drill 4 fixing holes for the wall plate and insert wall plugs supplied.

Put the horizontal flue onto the elbow and reposition the appliance.

Check the flue runs smoothly through the wall.

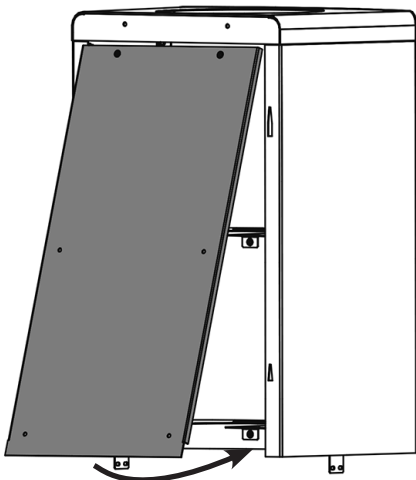
Fix the wall plate to the wall using the 4 black screws provided.

Drill through the fixing tab of the wall plate using a 3.5mm drill.

Secure with the screw provided.

Make good and weatherproof around the outside of the flue.

Replace the Top Extension Section back panel (if applicable).



## TOP EXIT – VERTICAL FLUE



**NOT SUITABLE FOR A WALL MOUNTED APPLIANCE FITTED WITH A TOP EXTENSION SECTION.**

Where a vertical only flue system has been purchased, refer to Installation & Instructions, Site Requirements.

Pay careful attention to the following:

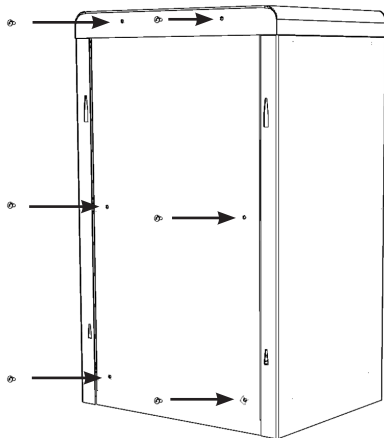
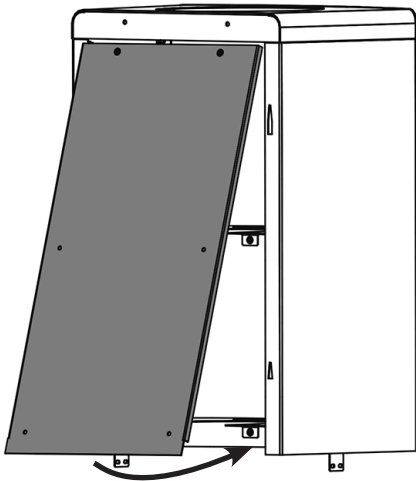
- Terminal positions
- Flue supports
- Weatherproofing
- Fire precautions

Local and national codes of practice must be followed for all the above.



**A restrictor must be fitted with vertical flues. See Technical Specification for restrictor sizes.**

Replace the Top Extension Section back panel (if applicable).

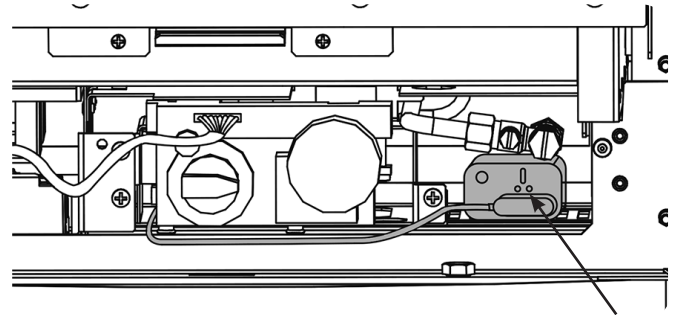


## GAS SOUNDNESS PRESSURE CHECK

Purge the supply pipe.

This is essential to expel any debris that may block the gas controls.

Connect the gas to the 8mm elbow on the rear of the appliance.

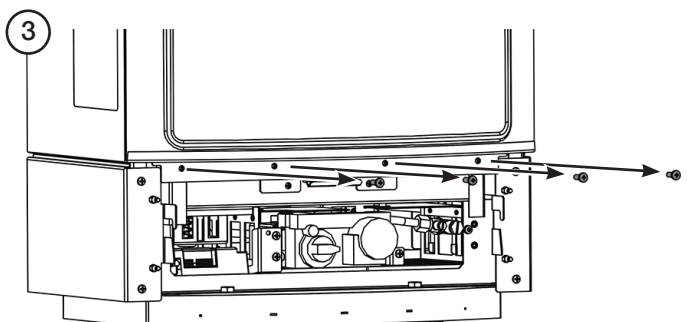
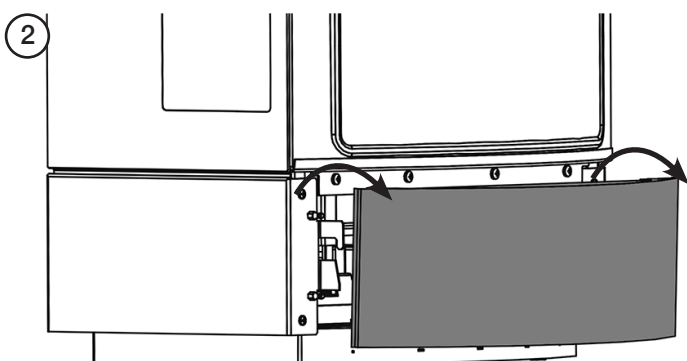
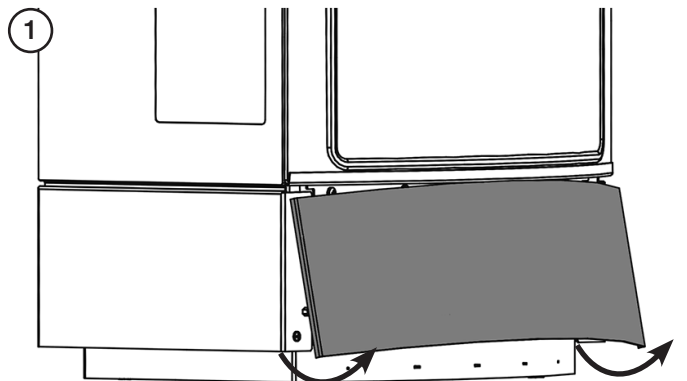


Connect a suitable pressure gauge to the test point located on the inlet fitting and turn the gas supply on. Light the appliance and check all gas joints for possible leaks. Turn the appliance to maximum and check that the supply pressure is as stated on the databadge. Turn the gas off and replace the test point screw, turn the gas on and check the test point for leaks.

## REMOVING THE GLASS DOOR

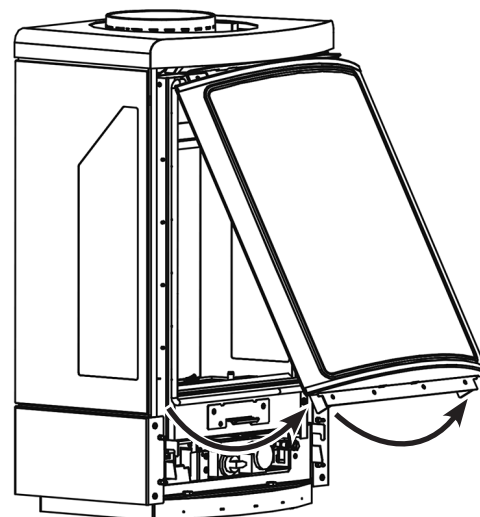


**IMPORTANT: THE OUTER PANNELLING OF THE GAZCO LOFT IS MADE FROM CAST IRON. USE CAUTION WHEN INSTALLING, REMOVING AND STORING AS THE COMPONENTS ARE HEAVY AND SHOULD BE HANDLED CAREFULLY.**



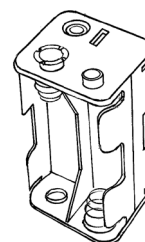
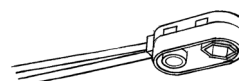
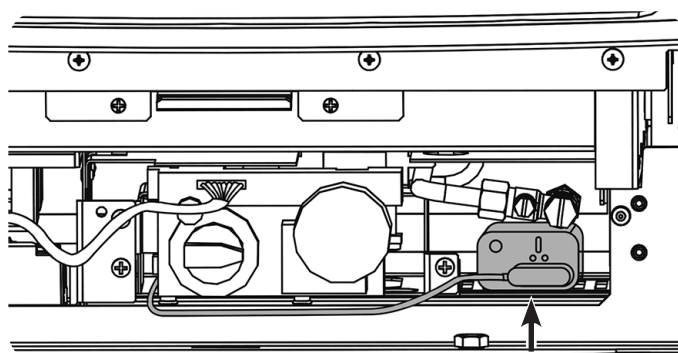
**NOTE: SUPPORT DOOR WHEN REMOVING.**

④



## BATTERY INSTALLATION

The appliance batteries are located on a bracket located behind the lower plinth.



Correctly position the 4 new AA size batteries into the battery holder.

Replace the battery holder.



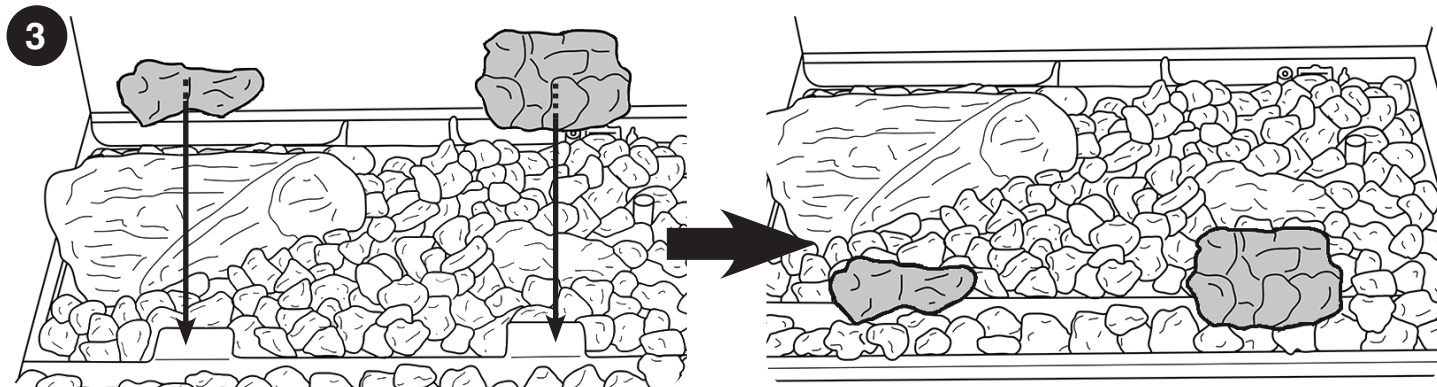
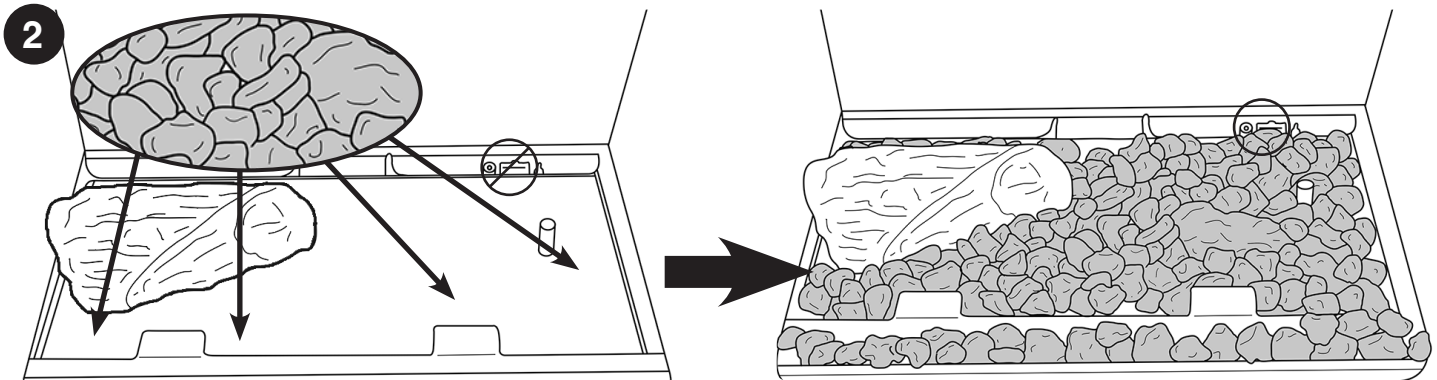
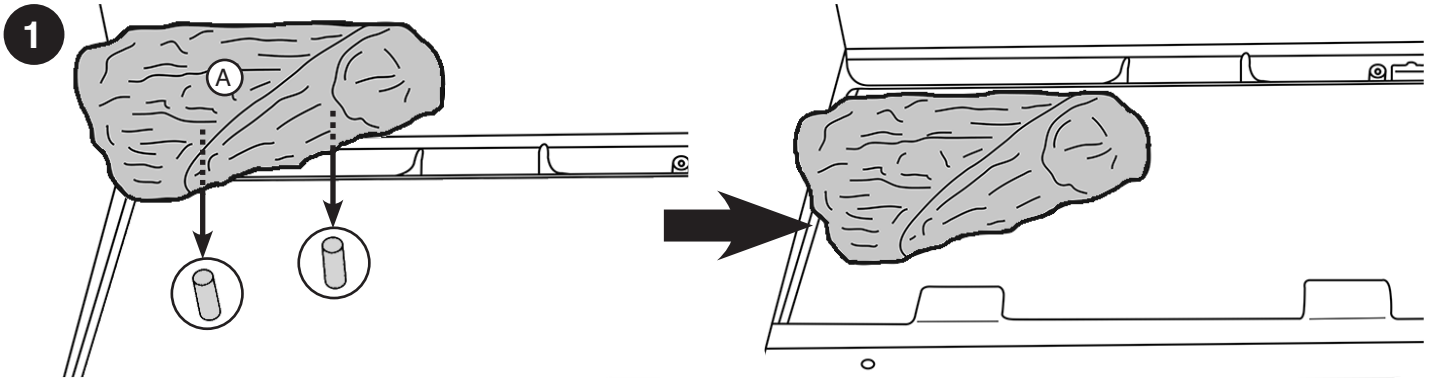
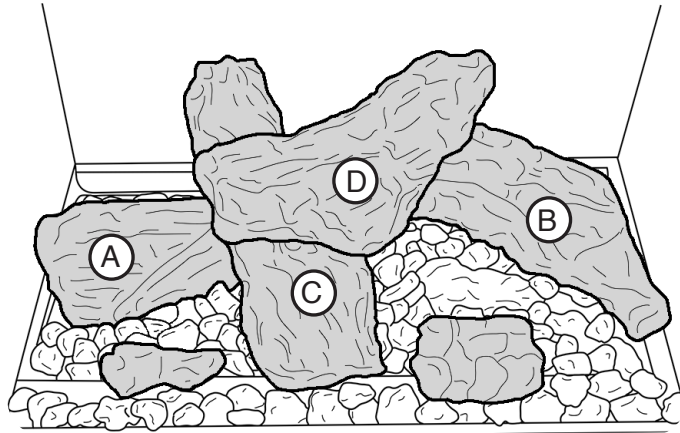
**It is essential to use high quality batteries (Duracell or equivalent) when replacing batteries in the handset or control box.**

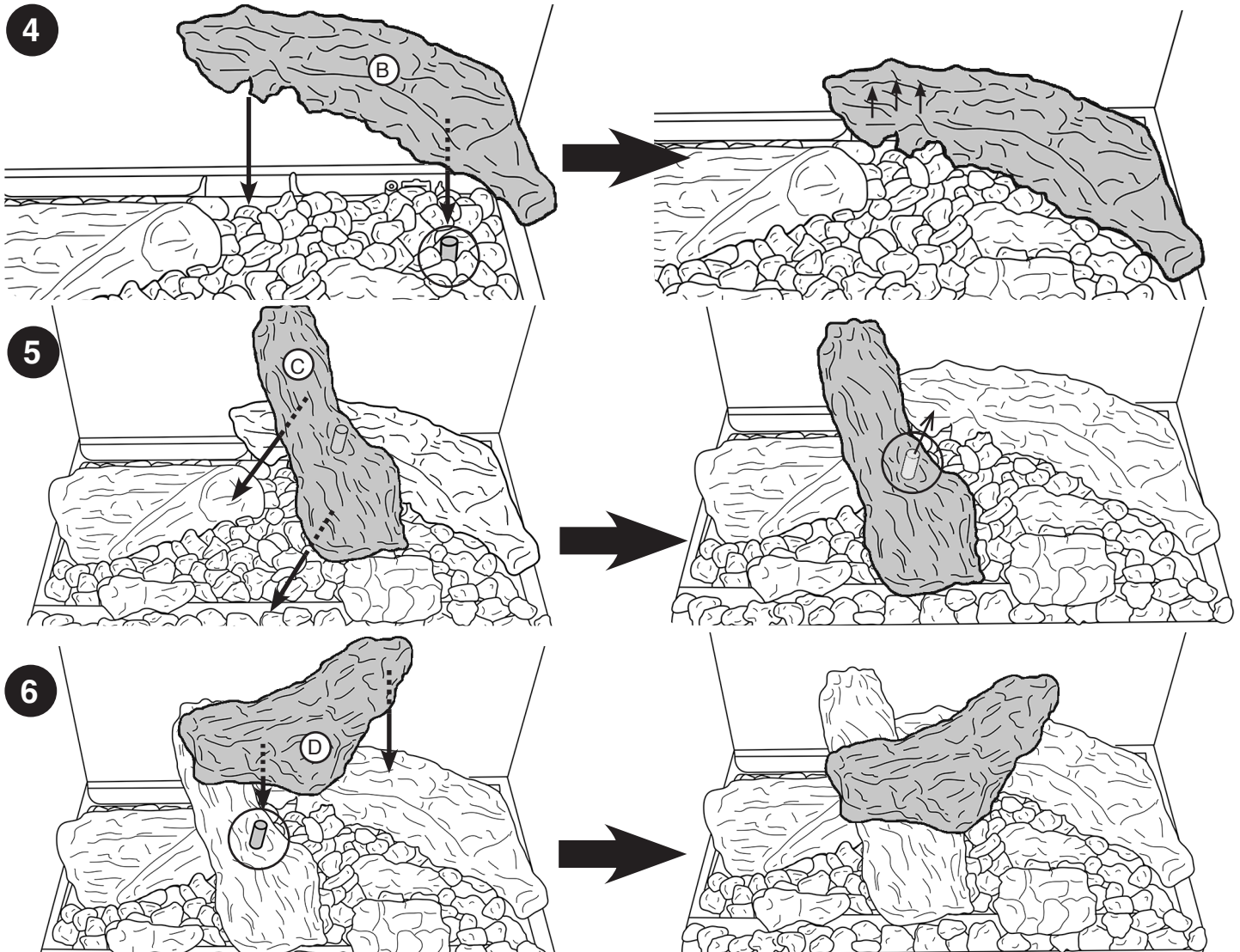


**PLEASE ENSURE NO WIRES ARE TRAPPED BEFORE REPLACING THE PLINTH. THE LEAD IS EASILY DAMAGED.**


LOG LAYOUT

LOGS MUST BE POSITIONED ACCORDING TO THE FOLLOWING INSTRUCTIONS TO GIVE THE CORRECT FLAME EFFECT.

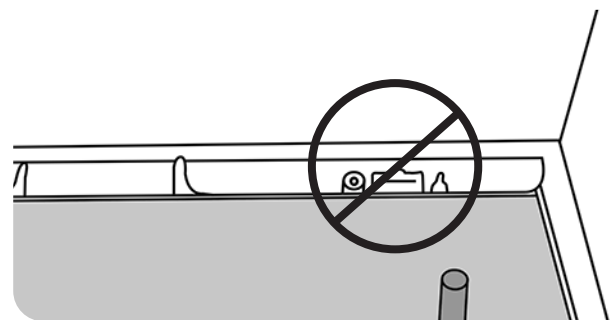
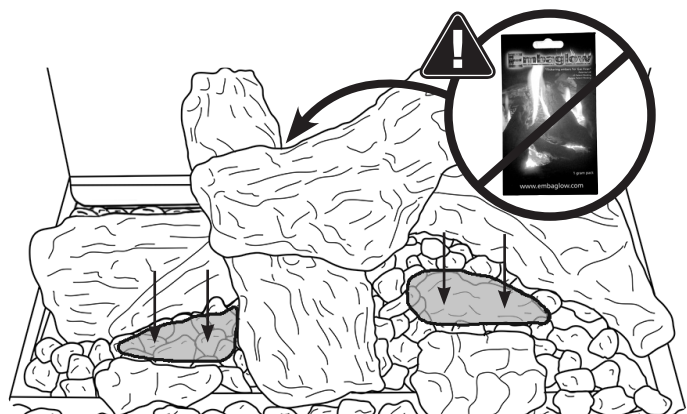




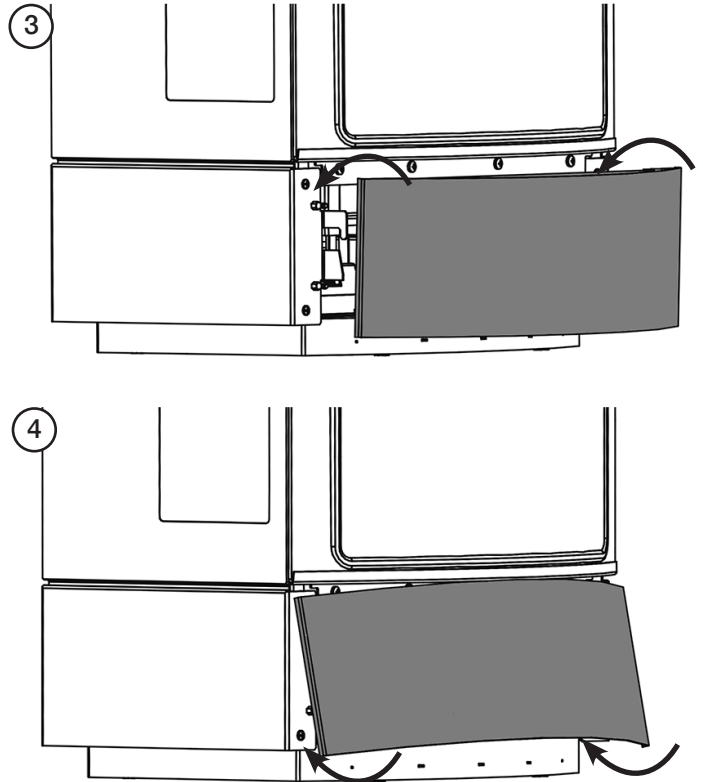
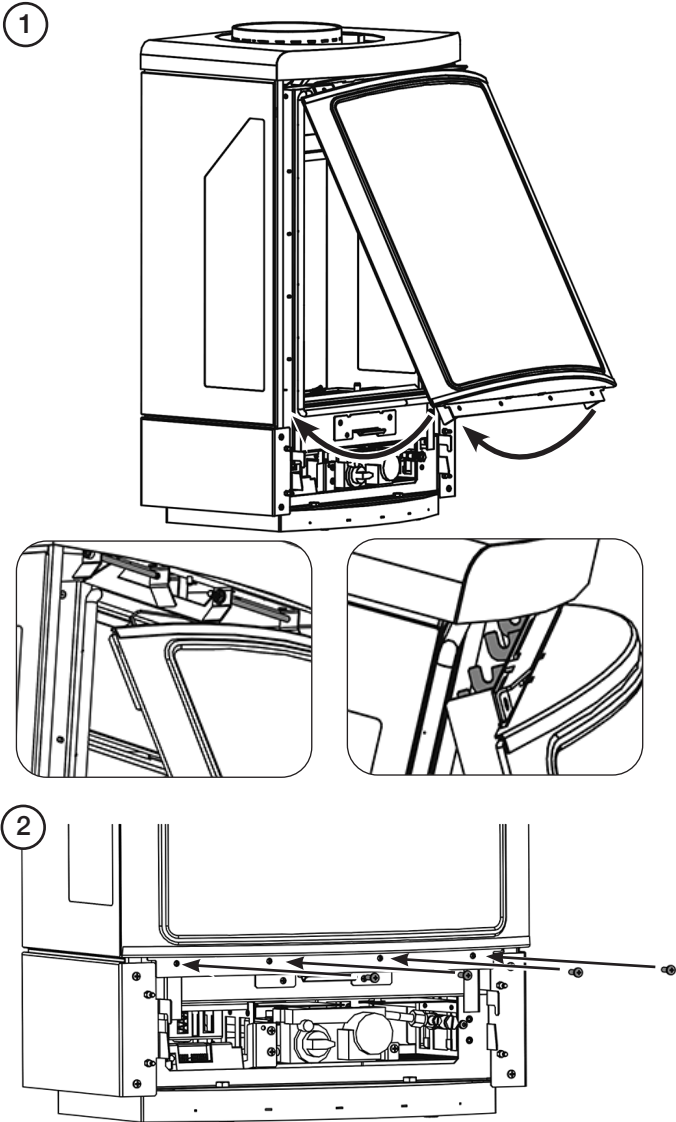
## Embaglow

 IT MAY NOT BE NECESSARY TO USE ALL THE EMBAGLOW IN THIS PACK. SPARINGLY SPREAD AN AMOUNT OF THE FIBRES PROVIDED ON THE SECTIONS HIGHLIGHTED IN THE INSTRUCTIONS. Take care not to use more than specified in the instructions.

**WARNING:**  
**DO NOT PLACE NEAR THE PILOT AREA.**  
 Do not place Embaglow in the area around the pilot burner - see highlighted example on diagram as this may effect the ignition process and flame picture.



REFITTING THE DOOR



UNDER NO CIRCUMSTANCES SHOULD THE APPLIANCE BE USED IF ANY OF THE GLASS FRAME RETAINING SCREWS ARE LOOSE OR MISSING.

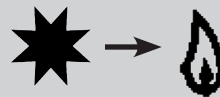
## OPERATING THE APPLIANCE



**1**

Mode Settings  
See Advanced Controls  
instructions

**2**



**3**



**4**



**5**



**i**

**IMPORTANT: YELLOW FLAMES TYPICALLY APPEAR WHEN THE APPLIANCE HAS REACHED NORMAL OPERATING TEMPERATURE. THIS CAN TAKE UP TO 30 MINUTES.**



**WARNING: IF THE APPLIANCE FAILS TO LIGHT OR BECOMES EXTINGUISHED IN USE, WAIT 3 MINUTES BEFORE ATTEMPTING TO RELIGHT.**

## COMMISSIONING THE APPLIANCE

Complete the Commissioning Checklist at the front of this manual covering:

- Thermocouple soundness checks.  
This is to include ensuring the thermocouple is secure on the pilot bracket assembly, lead connection and integrity.
- Flue checks
- Gas checks
- Log/fuel effect layout - flame picture

Ensure all safety checks listed in the Commissioning Section are completed, paying particular attention to the glass panel checks and securing of the glass frame.

Upon completion of the commissioning and testing of the installation and correct operation of the appliance, the installer must instruct the user how to operate the appliance.

Guide the user through the User Instructions paying particular attention to:

- a) Regular servicing (Section 8 of the User Instructions).
- b) Ventilation (Section 9 of the User Instructions) - point out the ventilation positions where applicable.
- c) Hot surfaces (Section 11 of the User Instructions).

## SERVICING INSTRUCTIONS

### SERVICING REQUIREMENTS/ FAULT FINDING CHARTS



**IMPORTANT** – Check the glass panel on this appliance for any signs of damage on the glass panel (scratches, scores, cracks or other surface defects). If damage is observed, the glass panel must be replaced and the appliance must not be used until a replacement is installed.  
**DO NOT USE** the appliance if any damage is observed.  
 Isolate the appliance until a replacement has been obtained and installed. Purchase replacement glass panels from Gazco via the retailer from which the appliance was purchased or any other Gazco distributor.

This appliance must be serviced at least once a year by a competent person.

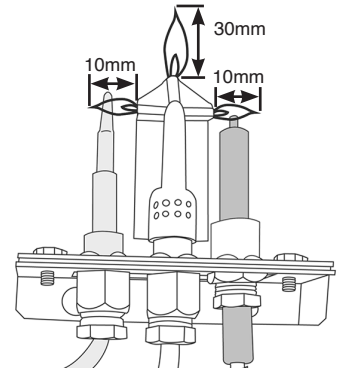
All tests must be carried out in accordance with the current Gas Safe recommendations.

#### BEFORE TESTING:

- Conduct a gas soundness test for the property ensuring there are no leaks before servicing.
- Check the operation of the appliance before testing.

#### SPECIAL CHECKS:

- Clean the burner using a vacuum cleaner with a soft brush attachment. Ensure all debris is removed from the burner ports.
- Clean away lint or fluff from the pilot.
- Clean away lint or fluff from under the burner.
- Check the spark gap on the pilot is correct.
- Ensure that the glass frame is secured correctly and that all retaining screws are in place.

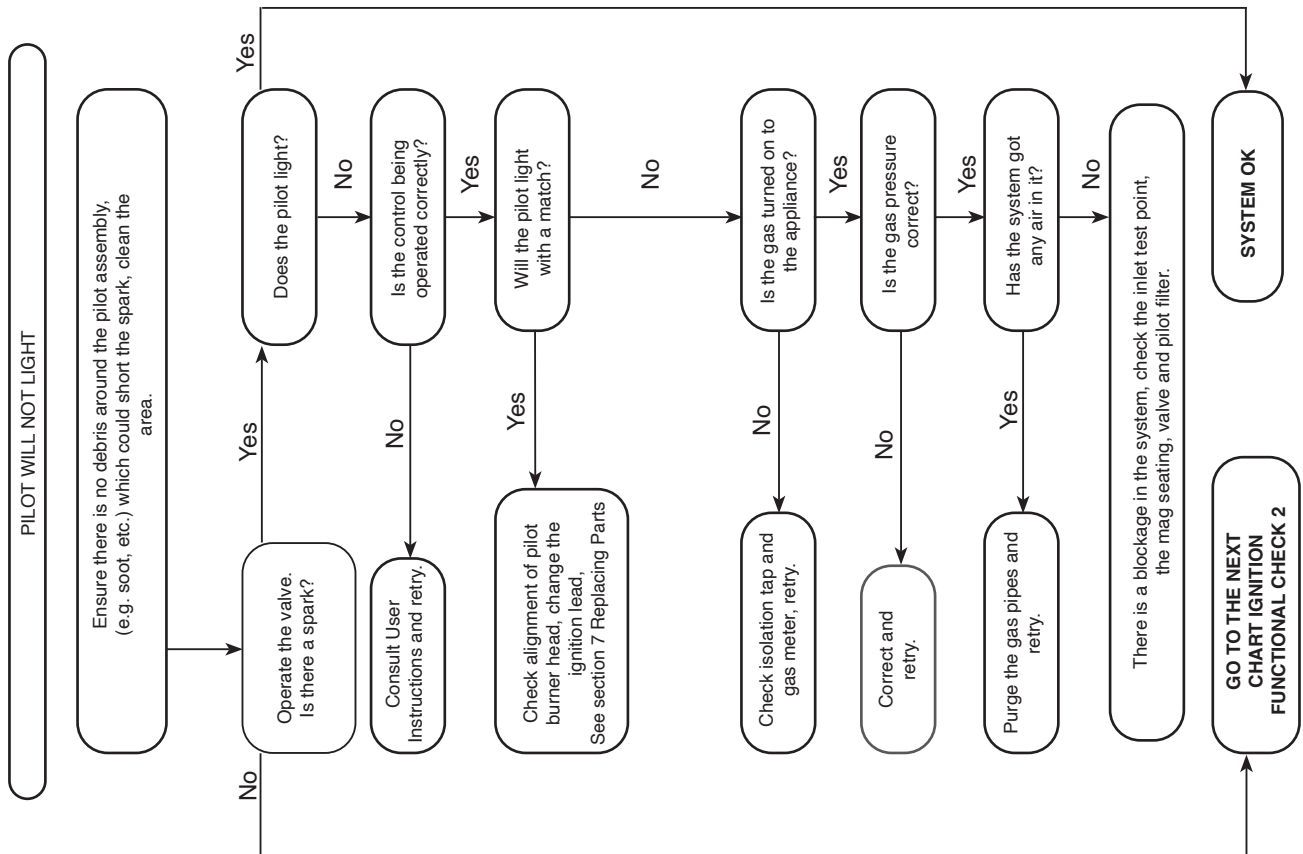


Correct any faults found during the initial test.

Re-commission the appliance in accordance with Commissioning Procedures.

Advise the customer of any remedial work undertaken.

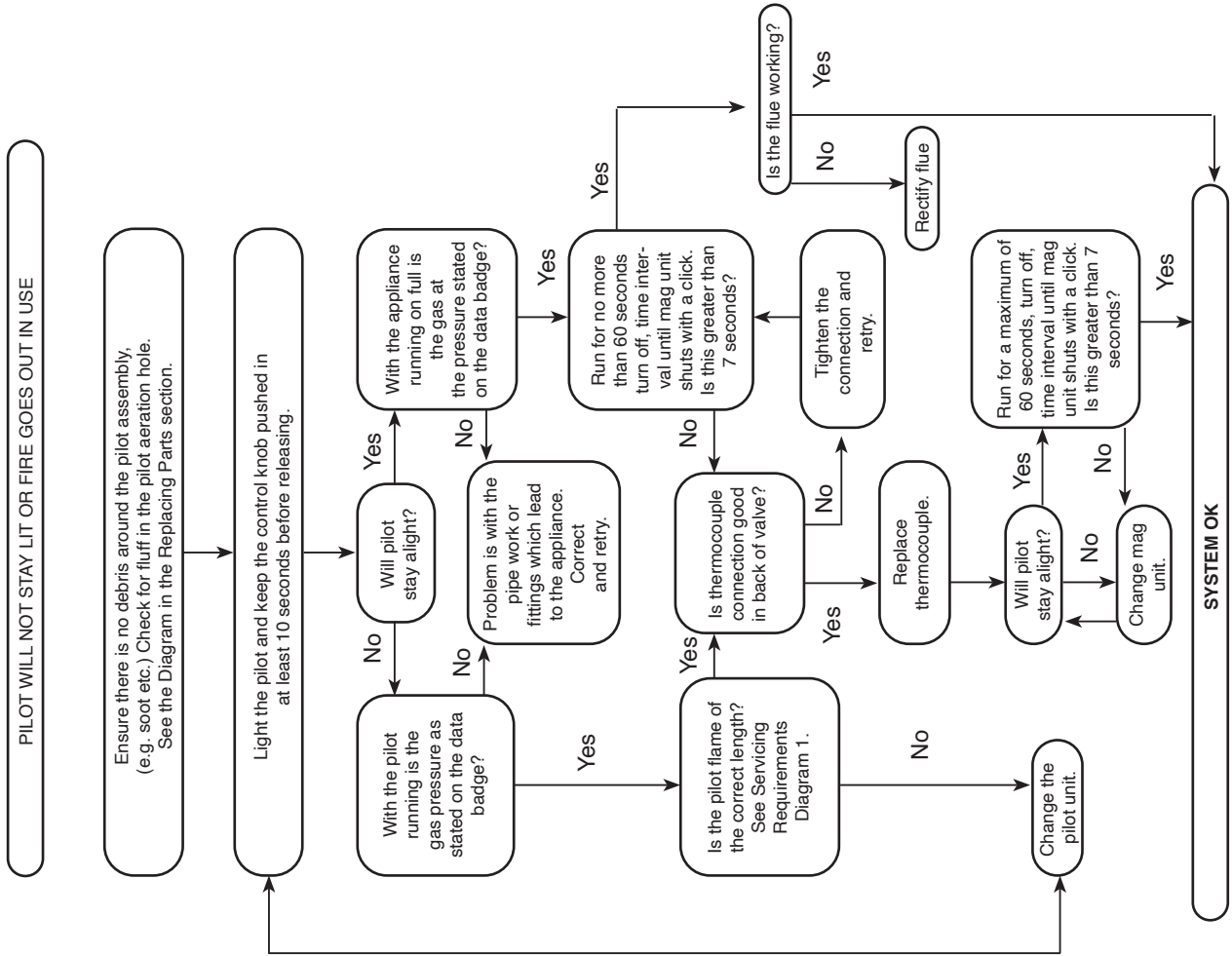
#### IGNITION FUNCTIONAL CHECK 1



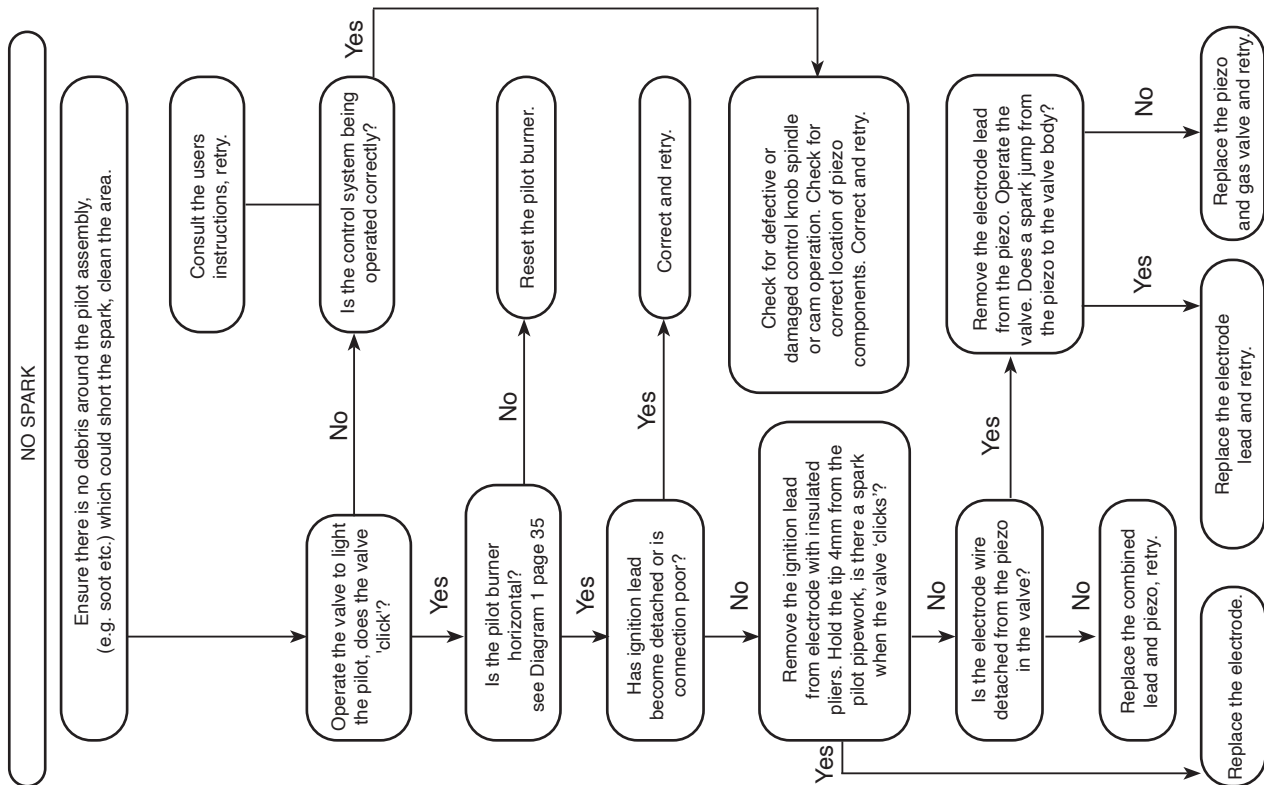


FAULT FINDING CHARTS

FLAME FAILURE FUNCTIONAL CHECK 3



IGNITION FUNCTIONAL CHECK 2



## SERVICING

All main components can be replaced without removing the appliance from its installation.

**IT IS ESSENTIAL THAT THE GAS SUPPLY TO THE APPLIANCE IS TURNED OFF AT THE ISOLATION DEVICE BEFORE PROCEEDING FURTHER.**

### SERVICING AND SUPPORT



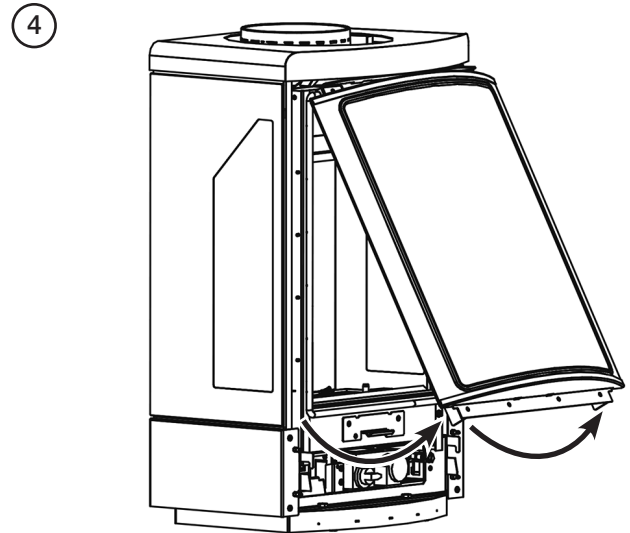
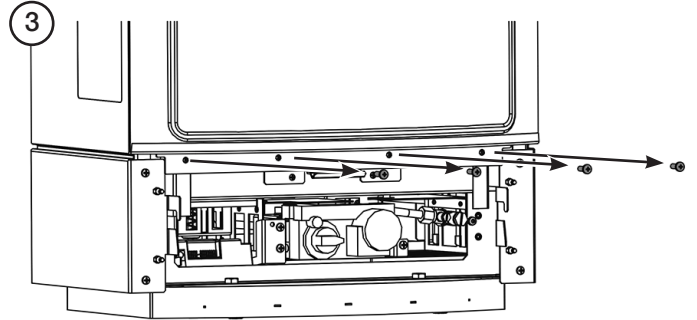
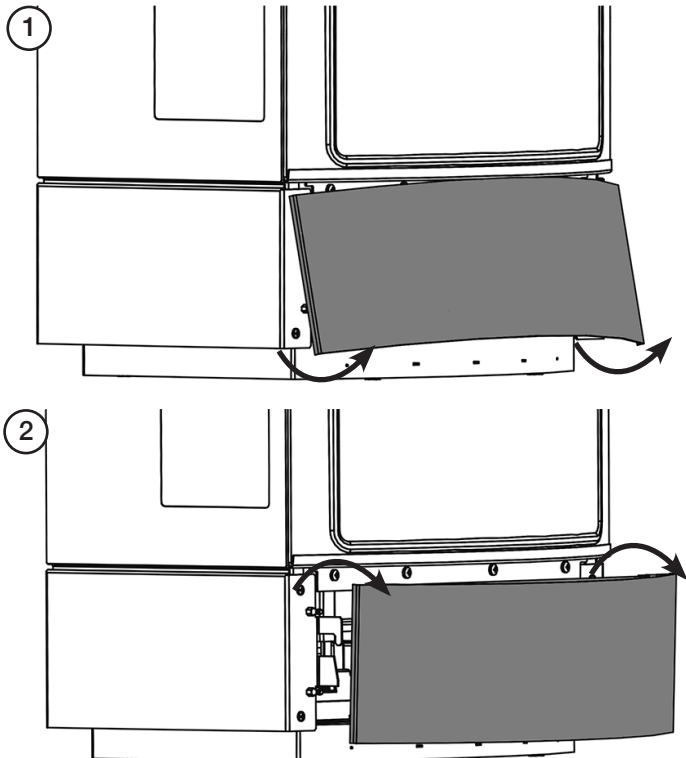
#### Servicing and Support

To keep your appliance looking and performing at its best, it must be serviced annually. This service must be undertaken by a suitably qualified individual and your retailer can organise this for you. Alternatively, Gazco offer a manufacturers premium service with our friendly team of qualified engineers which can be booked at [www.gazco.com/support](http://www.gazco.com/support)

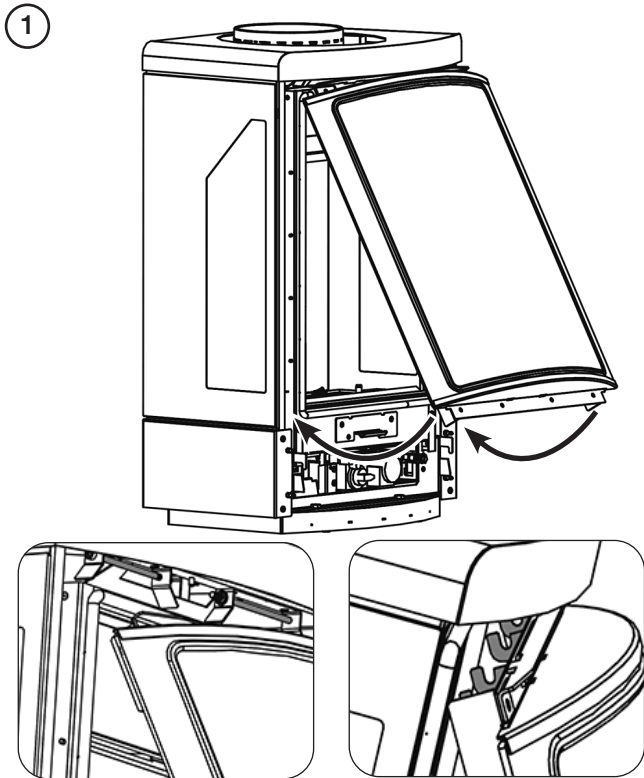
### REMOVING THE GLASS DOOR



**IMPORTANT: THE OUTER PANNELLING OF THE GAZCO LOFT IS MADE FROM CAST IRON. USE CAUTION WHEN INSTALLING, REMOVING AND STORING AS THE COMPONENTS ARE HEAVY AND SHOULD BE HANDLED CAREFULLY.**



## REFITTING THE DOOR



**UNDER NO CIRCUMSTANCES SHOULD THE APPLIANCE BE USED IF ANY OF THE GLASS FRAME RETAINING SCREWS ARE LOOSE OR MISSING.**

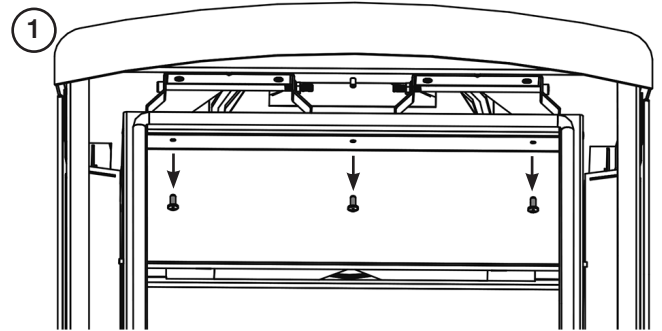
## BAFFLE & LINERS

To access the burner tray and interior workings of the appliance it may be necessary to remove the baffle and the liners.

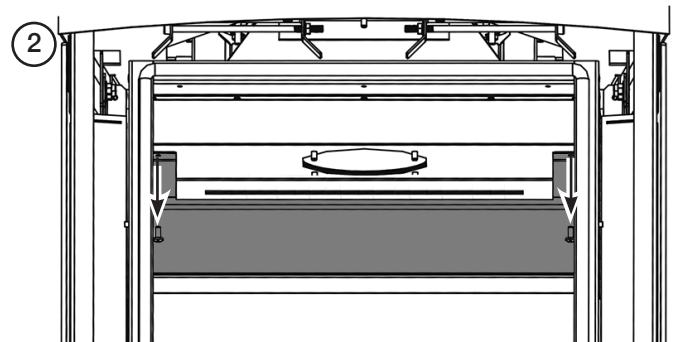
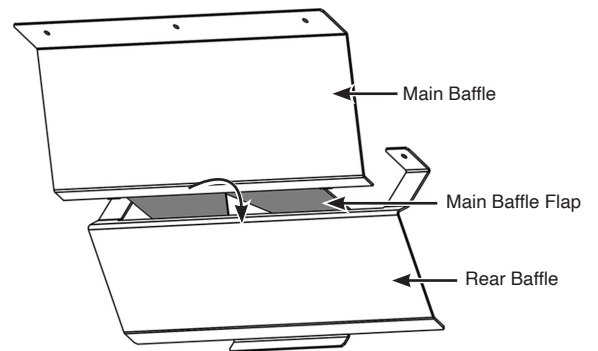
### BAFFLE

The baffle consists of two parts:

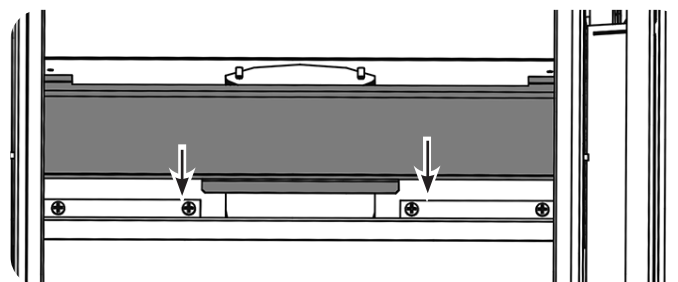
- Main Baffle.
- Rear Baffle.



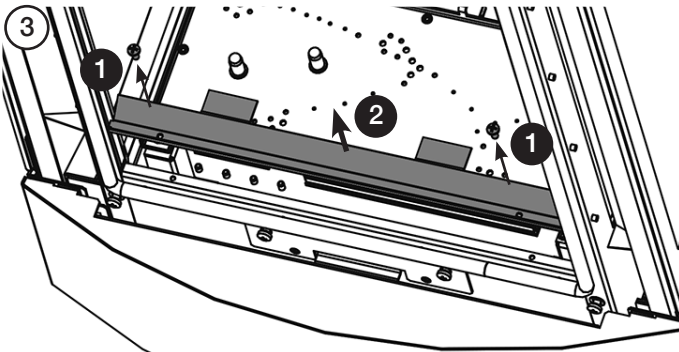
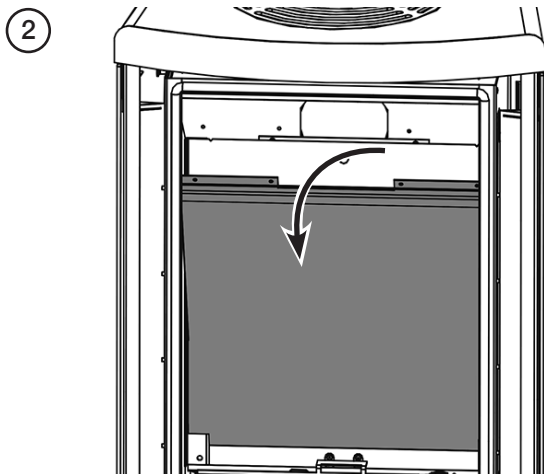
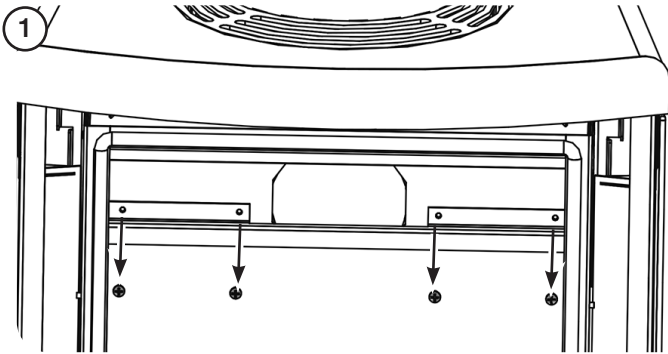
Note: when replacing the Main baffle ensure that the Main Baffle flap rests on the Rear Baffle.



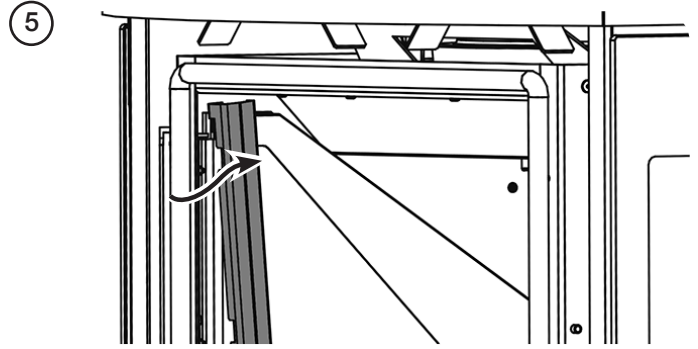
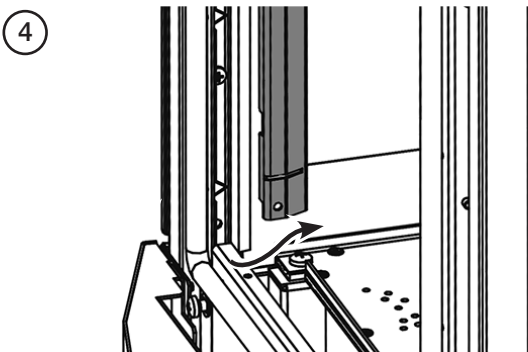
Note: When replacing the Rear Baffle ensure that the tab locates behind the rear panel slot.



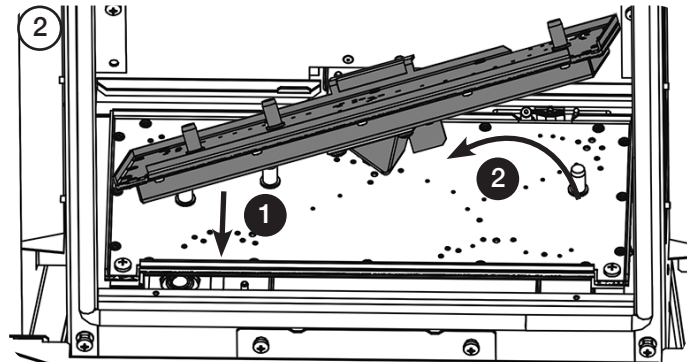
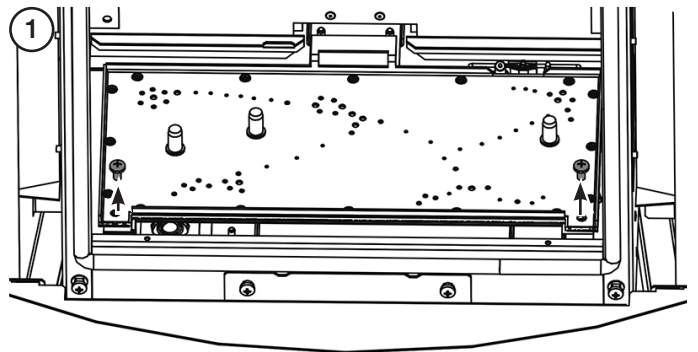
REAR PANEL & TRIMS



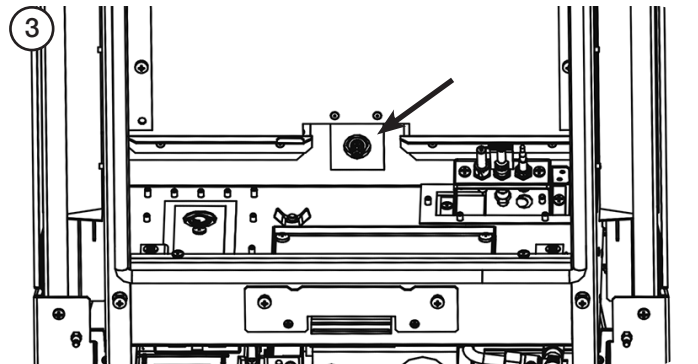
**i** NOTE: The Side Trims only need to be removed if damaged or the side glass needs replacing.



MAIN BURNER

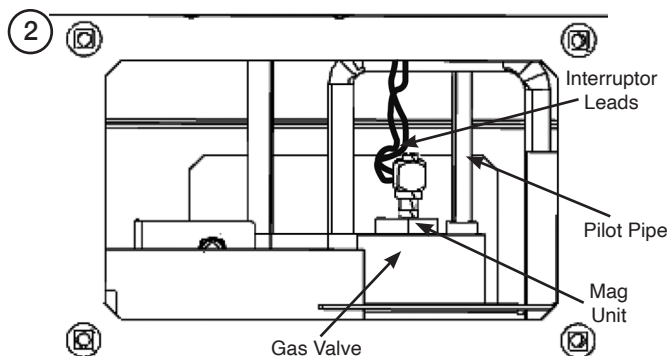
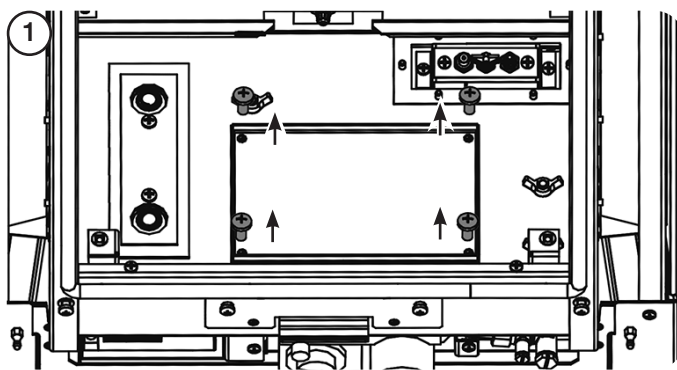


**!** IMPORTANT: ENSURE THE BURNER ENGAGES WITH THE INJECTOR AT THE BASE OF THE FIREBOX.

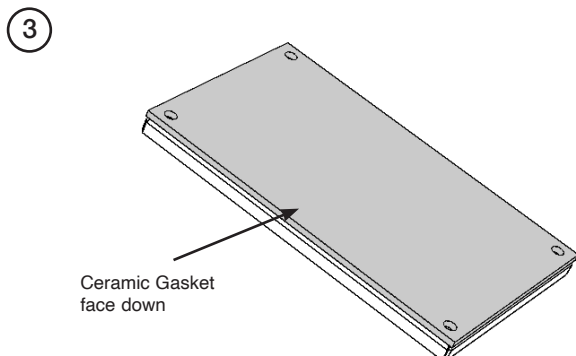


## CONTROL ASSEMBLY & SERVICE HATCH

**i** It is not necessary to remove the complete control assembly to service or replace parts of this appliance. The following sections will detail how to individually remove and replace each element.



**i** Reposition the service hatch and tighten the 4 screws.

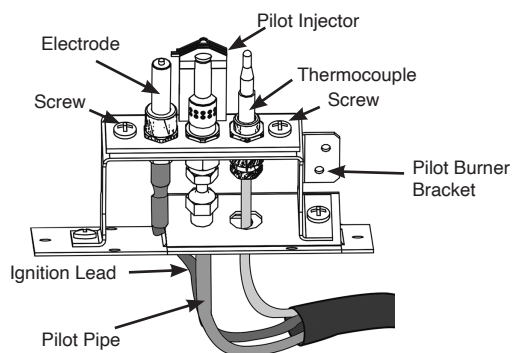


## PILOT UNIT

**!** **IMPORTANT: UNDER THE TERMS OF THE EXTENDED WARRANTY IT WILL BE COMPULSORY TO CHANGE THE COMPLETE PILOT UNIT ON THIS APPLIANCE IN YEARS 2 AND 4.**

The pilot assembly consists of 4 components which can be individually changed:

- a) Pilot burner bracket.
- b) Electrode.
- c) Pilot injector.
- d) Thermocouple.

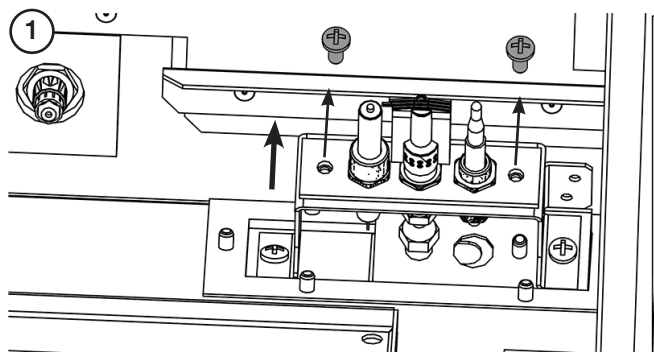


**NOTE: Ensure the sealant surrounding the Electrode and Thermocouple leads is replaced if disturbed or removed whilst gaining access to these components.**

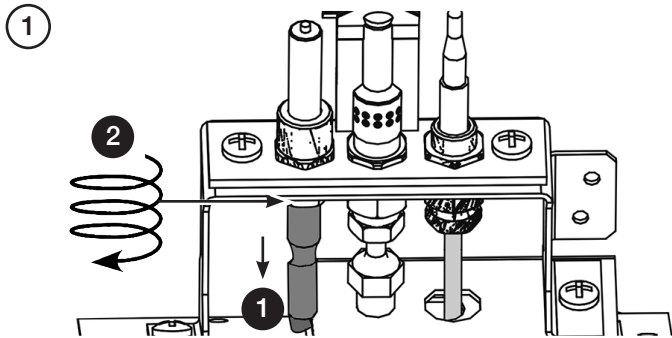
Turn the gas supply off at the isolation device, remove the door and place to one side, carefully remove the ceramic fuel bed components.

## PILOT BURNER BRACKET

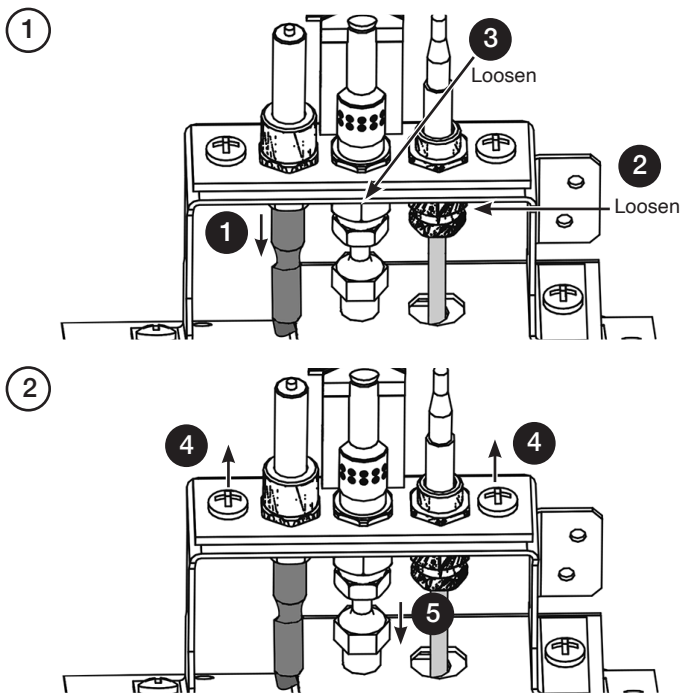
**i** First remove the electrode, pilot pipe and thermocouple as described in the following sections.



**ELECTRODE**

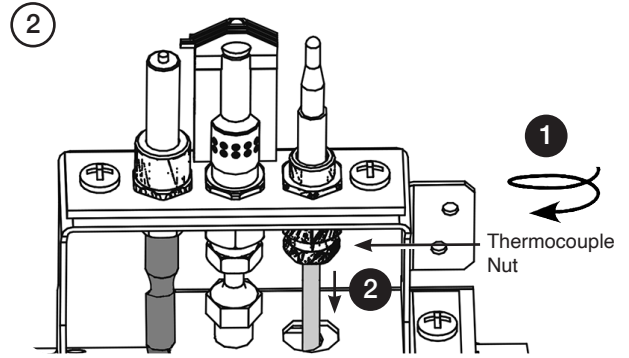
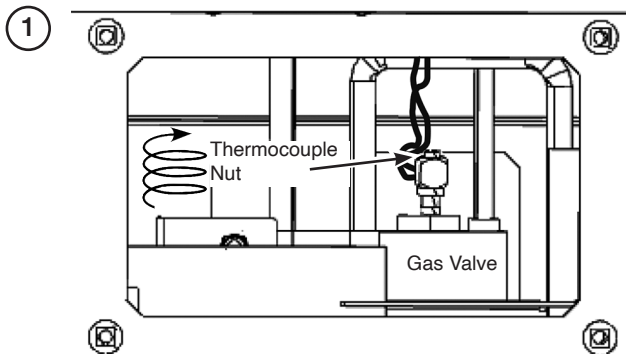


**PILOT INJECTOR**



Remove the pipe and the injector drops out from the burner when Pilot Assembly is lifted.

**THERMOCOUPLE**



**NEW THERMOCOUPLE:**

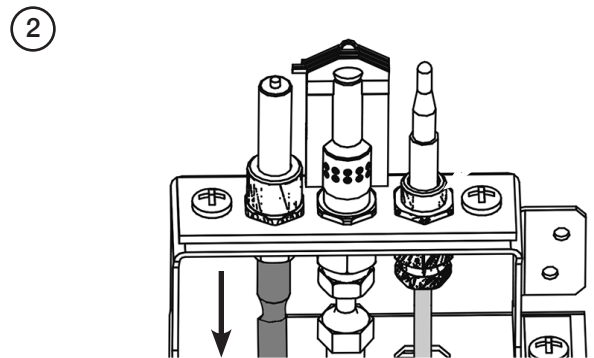
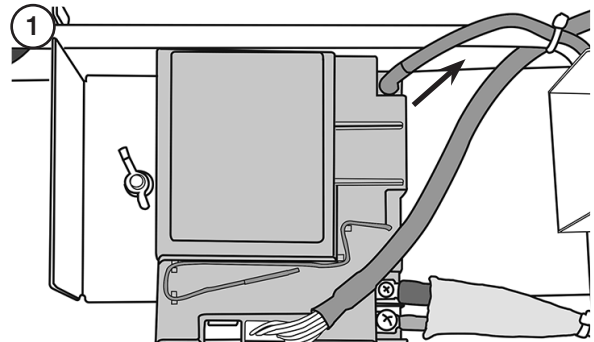
Bend the new component to the same shape as the thermocouple just removed.

Push thermocouple fully into the hole in the pilot bracket. There is a stop on the thermocouple to set the height.

Lock the retaining nut just enough to grip the thermocouple.

Connect the thermocouple to the valve **taking care not to over-tighten.**

**IGNITION LEAD**



**IGNITION LEAD:**

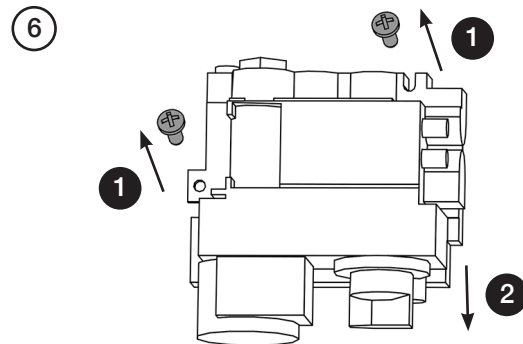
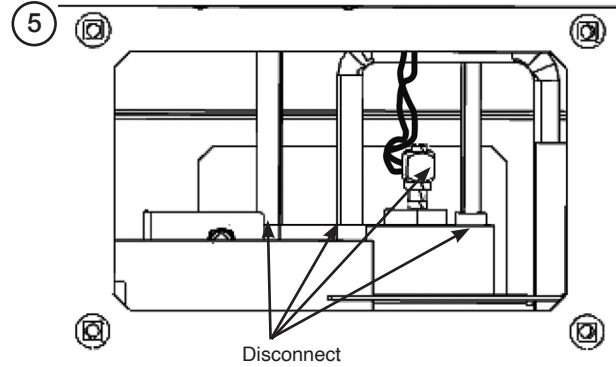
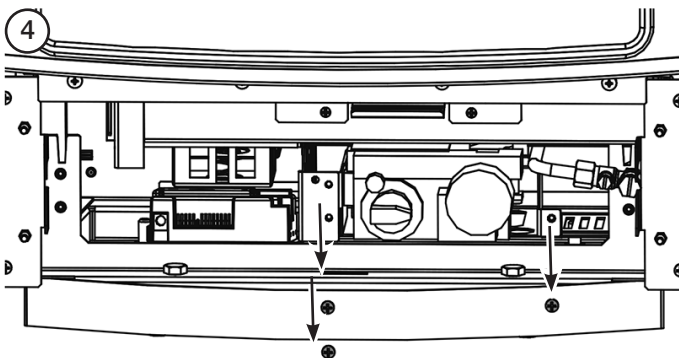
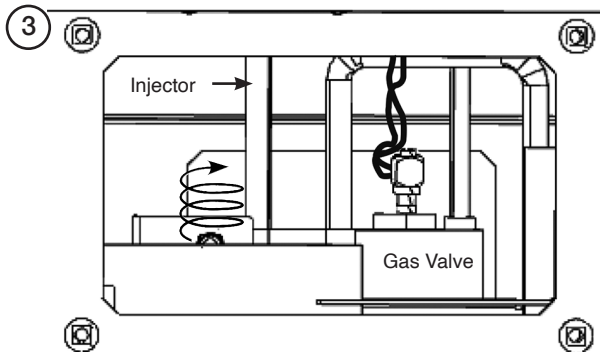
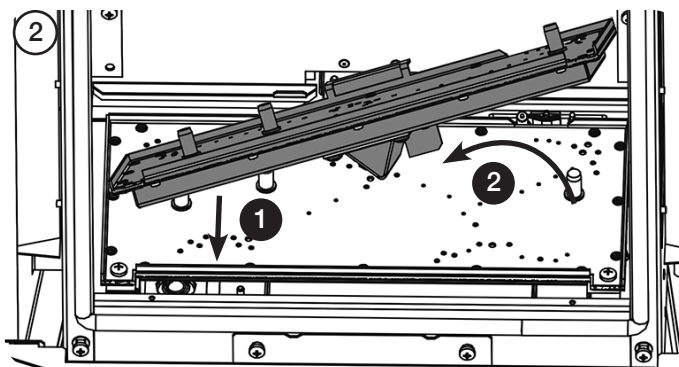
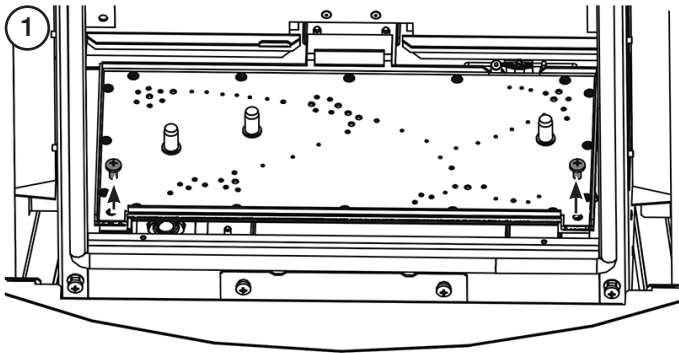
Note the direction of the lead. The new lead must follow exactly the same route. Replace cable ties where necessary.

**NOTE: THE IGNITION LEAD MUST NOT PASS IN FRONT OF THE CONTROL BOX AS THIS CAN DAMAGE THE SENSITIVE ELECTRONICS.**

## GAS VALVE



**IMPORTANT: TURN OFF THE GAS SUPPLY AT THE ISOLATION DEVICE.**



Replace in reverse order.

**Check all joints for gas leaks and check operation of the thermocouple and ignition lead.**

## MAGNETIC SAFETY VALVE



**IMPORTANT: TURN OFF THE GAS SUPPLY AT THE ISOLATION DEVICE.**

Remove the gas valve.

Undo the magnetic valve-retaining nut from the back of the control valve.

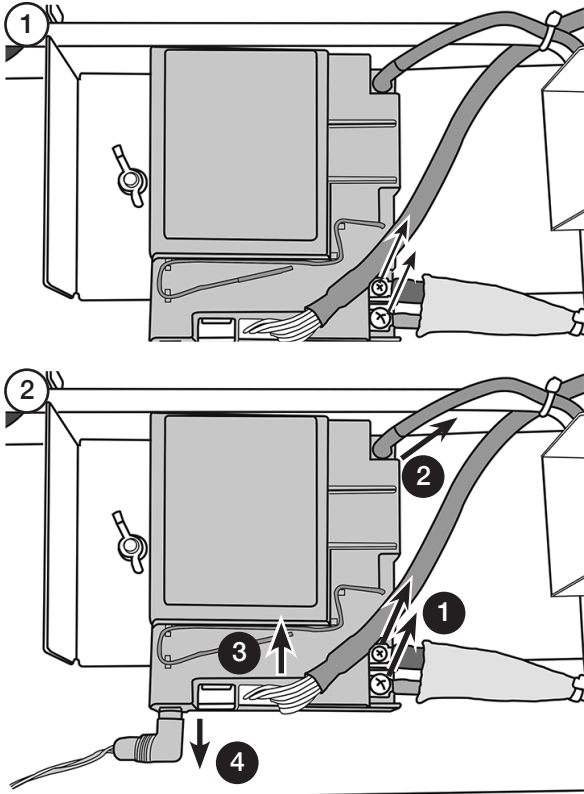
Gently tap out the magnetic valve and replace with a new unit.

Replace the retaining nut and tighten.

Reassemble the interrupter block and leads and secure the thermocouple connection in the rear of the gas control. (Do not overtighten).

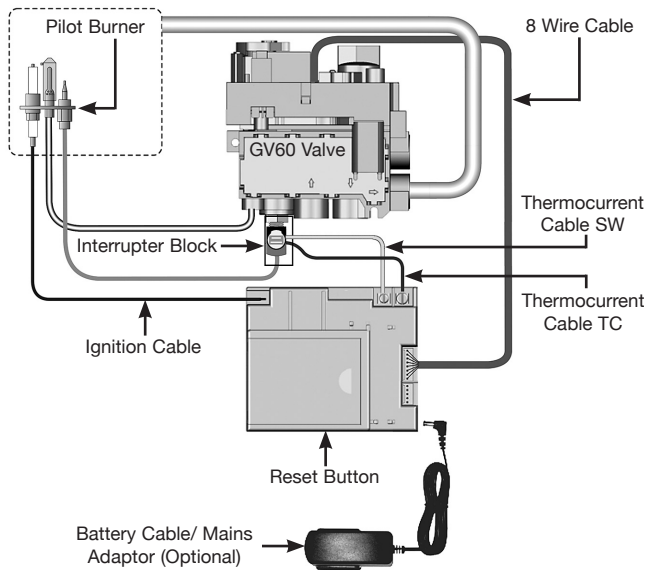
Turn the gas supply on and check the entire pipework and valve joints for any leaks.

## CONTROL BOX



The control box can now be replaced.

When replacing the sealing plate on the rear of the control cover use a suitable silicone sealant.



After replacing the control box you may need to reprogram the handset.

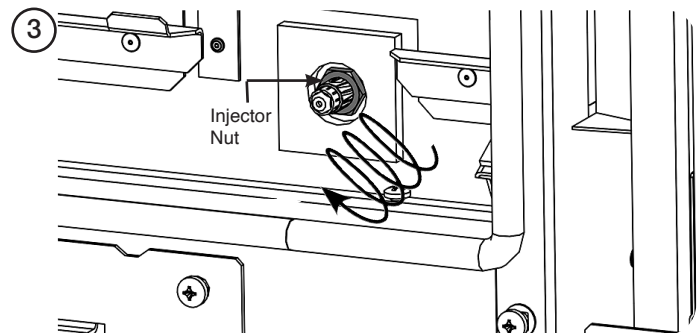
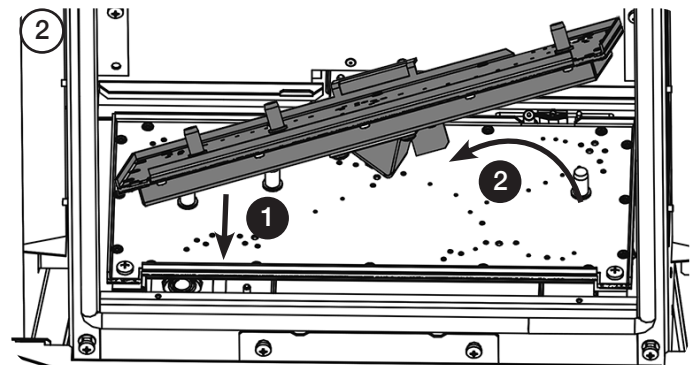
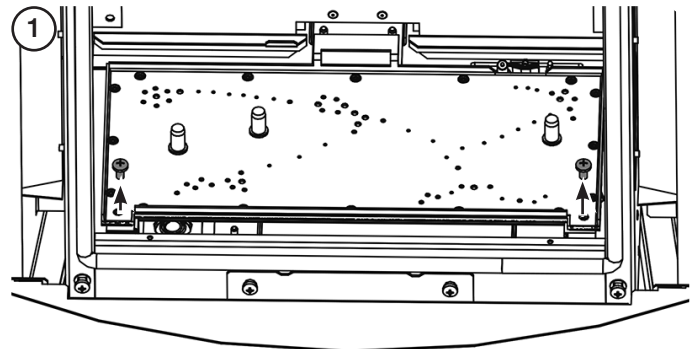
- Press and hold the reset button on the control box until you hear two signals. After the second longer signal:
- Release the reset button and within 20 seconds:
- Press the DOWN button on the handset until you hear two additional short signals confirming the new code is set.

If there is a single long signal the code learning sequence has failed or the wiring is incorrect.

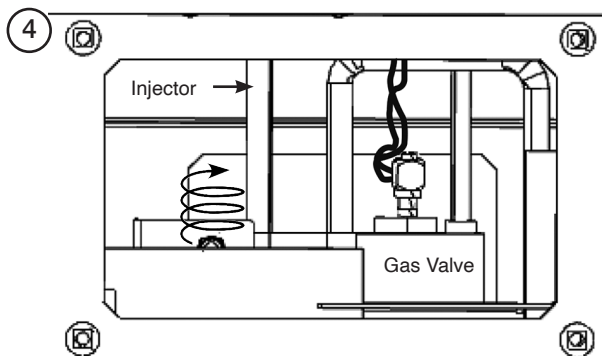
## MAIN INJECTOR



**IMPORTANT: TURN OFF THE GAS SUPPLY AT THE ISOLATION DEVICE.**







Extract the injector with the feed pipe from beneath the appliance.

Holding the injector with a spanner:

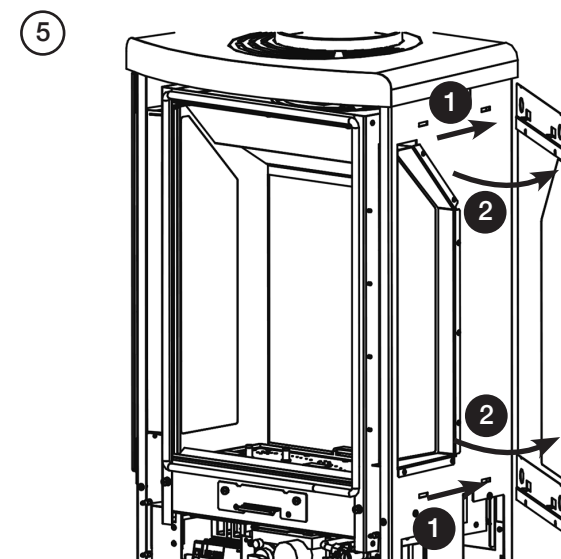
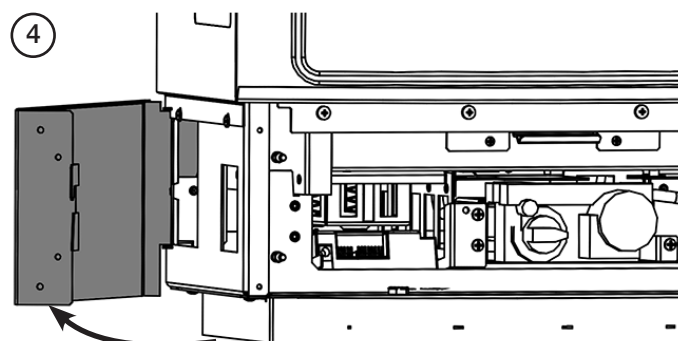
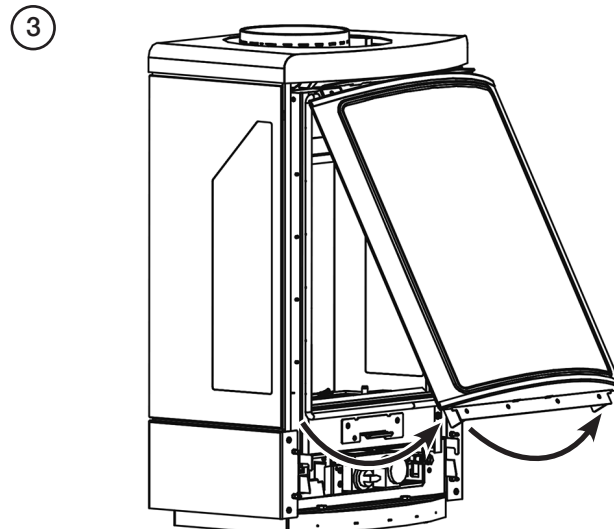
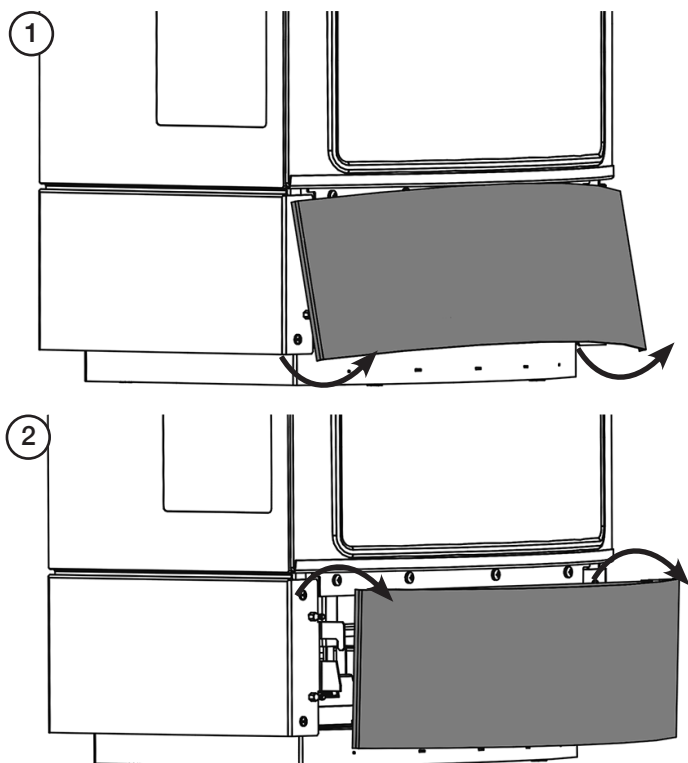
- Undo the feed pipe. **Note the orientation of the injector.**
- Re-assemble in reverse order.

Turn on the gas supply and check for leaks.

## GLASS SIDE PANELS



**IMPORTANT: THE OUTER PANNELLING OF THE GAZCO LOFT IS MADE FROM CAST IRON. USE CAUTION WHEN INSTALLING, REMOVING AND STORING AS THE COMPONENTS ARE HEAVY AND SHOULD BE HANDLED CAREFULLY.**

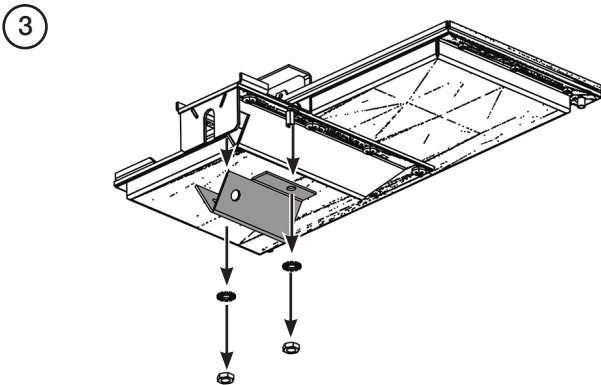
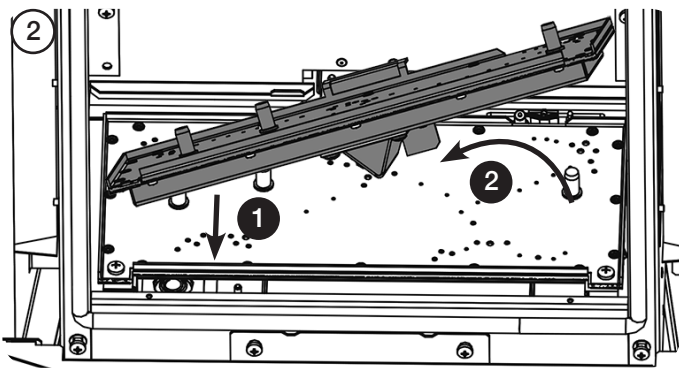
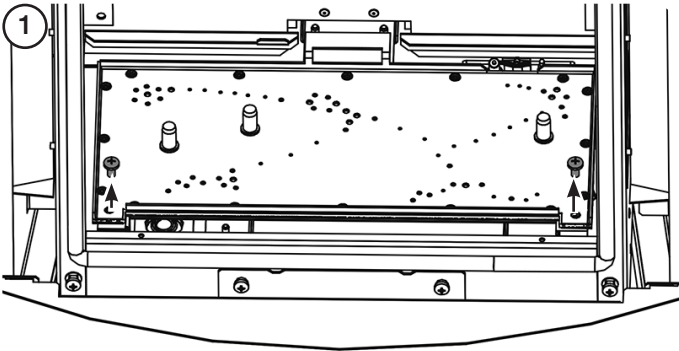


Replace the glass and gasket, ensuring that the printed side is facing outwards.

## PRIMARY AERATION PLATE

**i** NOTE: Not all models have aeration plates. Please refer to the Technical Specification.

**!** IMPORTANT: TURN OFF THE GAS SUPPLY AT THE ISOLATION DEVICE.

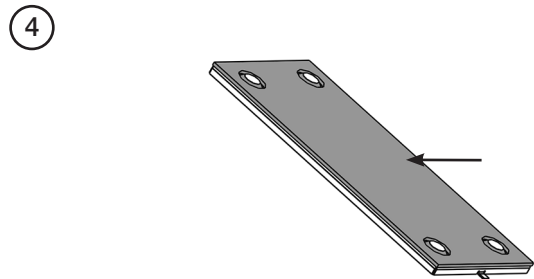
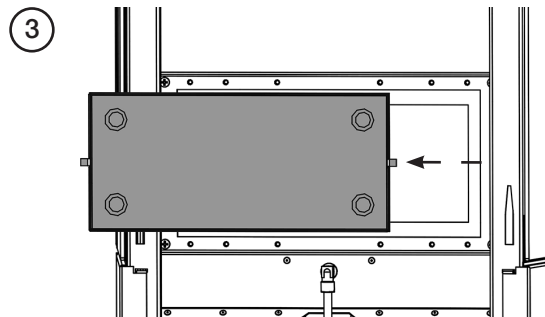
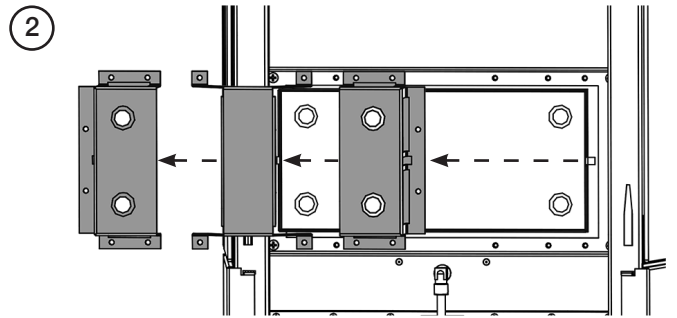
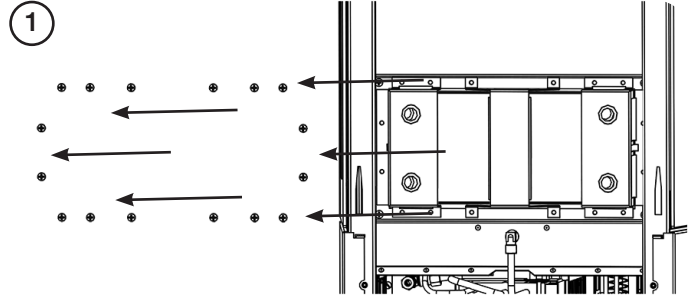


Replace with the correct size plate and secure the 2 nuts. Ensure that the lower edge of the plate is located over the venturi flange.

## EXPLOSION RELIEF GASKET

**!** IMPORTANT: If it is required to access the rear explosion relief for servicing the appliance must first be removed from the wall.

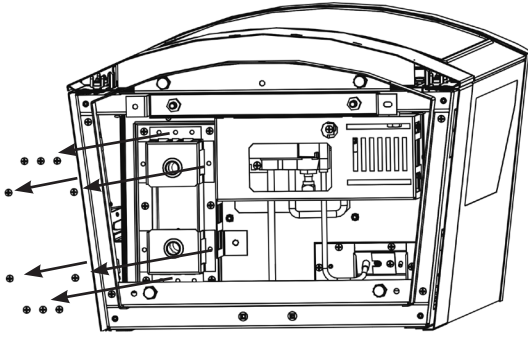
### REAR EXPLOSION RELIEF



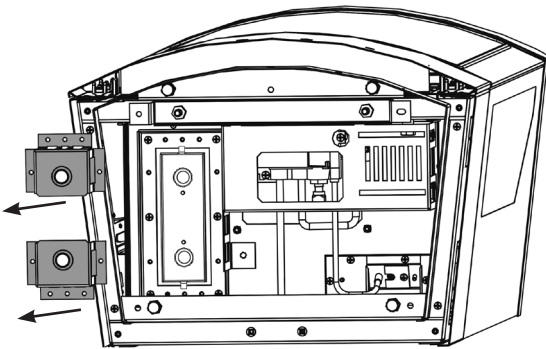
**i** Ensure when replacing that the springs are located into the recess.

LOWER EXPLOSION RELIEF

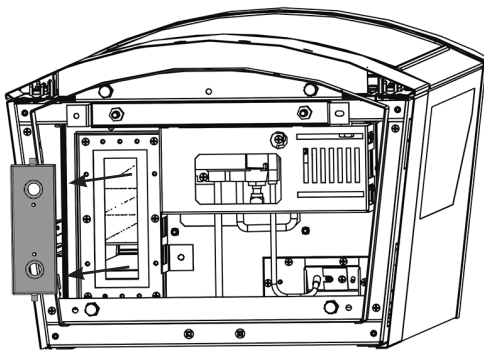
①



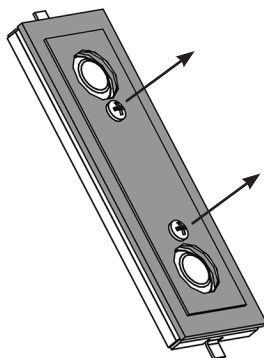
②



③

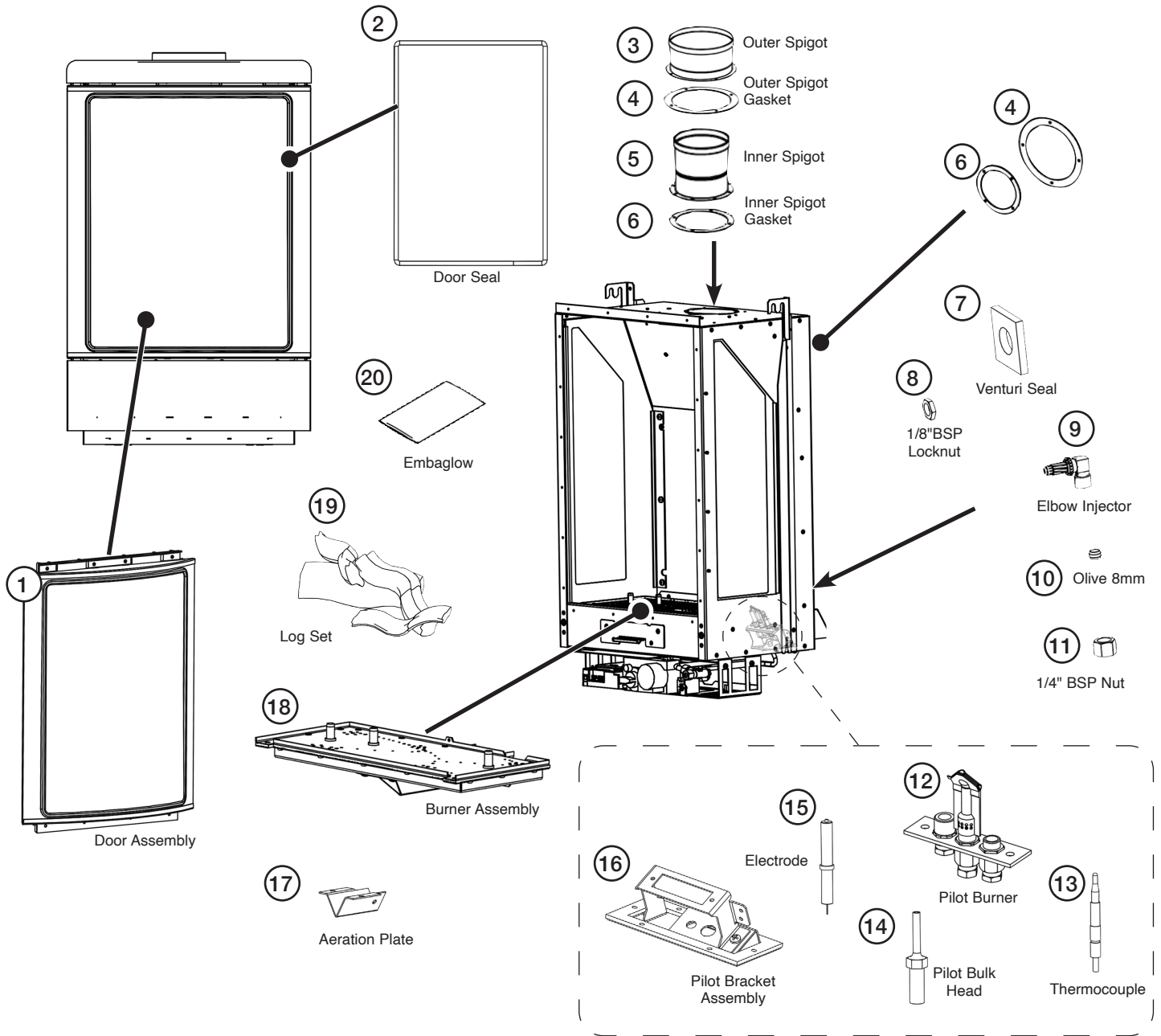


④



Ensure when replacing that the springs are located into the recess.

## SPARES LIST - MAIN ASSEMBLY



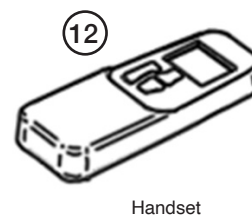
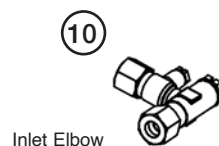
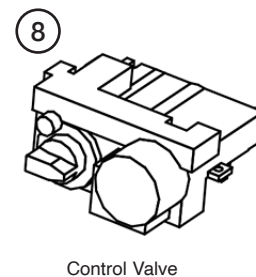
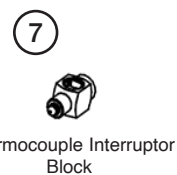
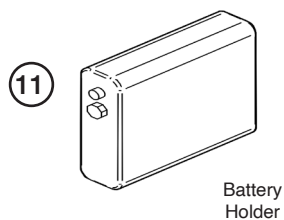
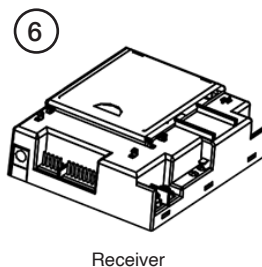
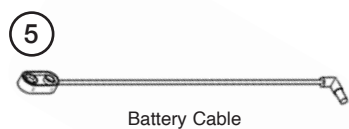
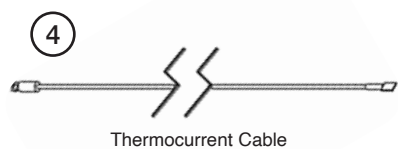
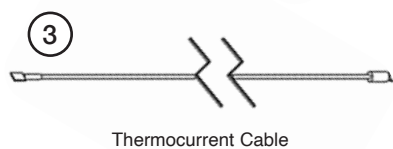
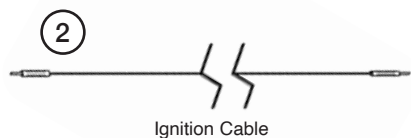
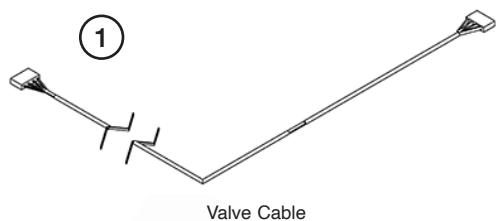
GAS TYPE	1	2	3	4	5	6	7	8	9	10	11
LPG	GZ14262	FA0726	MEC0232	CE0211	MEC0275	CE0210	FA0171	FA0241	IN0062	FA0011	FA0029
Nat. Gas									IN0039		

GAS TYPE	12	13	14	15	16	17	18	19	20
LPG	PI0070	PI0074	FA0723	PI0075	GZ13443	N/A	GZ14286	CE1755	GZ8471
Nat. Gas	PI0069					GZ10407	GZ14317		

**i** Due to continual technical improvements please check online or with your Gazco retailer for the most up to date parts lists.

Only use Genuine Gazco spares when servicing your appliance.  
 All of our essential spare parts and consumable items are available to purchase from our webshop at [www.gazcospares.com](http://www.gazcospares.com).

SPARES LIST - CONTROL ASSEMBLY



Model	1	2	3	4	5	6	7	8	9	10	11	12
Loft BF	GC0133	GC0125	GC0126	EL0590	GC0146	EL0589	GC0124	GC0123K	GC0166	GC0095	EL0616	EL0571



Due to continual technical improvements please check online or with your Gazco retailer for the most up to date parts lists.

Only use Genuine Gazco spares when servicing your appliance.

All of our essential spare parts and consumable items are available to purchase from our webshop at [www.gazcospares.com](http://www.gazcospares.com).

## PRODUCT MATERIAL INFORMATION

The following substances, preparations or components should be disposed of or recovered separately from other WEEE in compliance with Article 4 of EU Council Directive 75/442/EEC.

<b>Metal</b>	Steel	Can be taken to a local recycling centre for reuse to reduce waste going to landfill.
	Cast iron	
<b>Glass</b>		Can be taken to a local recycling centre for reuse to reduce waste going to landfill.
<b>Vermiculite linings</b>		Non hazardous material. Vermiculite can be crushed up and used for plant bedding and ash used for composting or disposed of at a local recycling centre for reuse to reduce waste going to landfill.
<b>Rope seals/ Coal Fuel Effects/ Brick Effect, Ledgestone and Black Reed Liners</b>		If the product contains any of the following: Rope seals, Coal Fuel Effects, Black Reed Brick Effect or Ledgestone Linings panels these items are made from Refractory Ceramic Fibre (RCF), a material which is commonly used for this application. Protective clothing is not required when handling these articles, but it is recommended to follow normal hygiene rules of not smoking, eating or drinking in the work area and always wash hands before eating or drinking. When servicing the appliance it is recommended that the replaced items are not broken up, but are sealed within heavy duty polythene bags and labelled as RCF waste. RCF waste is classed as stable, non-reactive hazardous waste and may be disposed of at a licensed landfill site.
<b>Log Fuel Effects</b>		Log Fuel effects are not considered hazardous to health, but are non-recyclable and must be disposed of in accordance to the rules in force.
<b>Electrical components</b>	(Fan kits etc if applicable)	Dispose of at a local recycling centre in accordance with the WEEE directive.

## INFORMATION REQUIREMENT FOR GASEOUS FUEL LOCAL SPACE HEATER

Model		Loft BF NG	Loft BF LPG
FUEL	Space Heating Emissions (NOx) - mg / kWh <sub>input</sub> (GCV)	130	130

HEAT OUTPUT	Nominal Heat Output - $P_{nom}$	4.8kW	4.2kW
	Minimum Heat Output (indicative) - $P_{min}$	2.9kW	2.4kW

AUXILIARY ELECTRICITY CONSUMPTION	At Nominal Heat Output - $e_{lmax}$	N/A	N/A
	At Minimum Heat Output - $e_{lmin}$	N/A	N/A
	In Standby Mode - $e_{lsb}$	N/A	N/A

USEFUL EFFICIENCY	Useful Efficiency at nominal heat output - $\eta_{th,nom}$	94.3%	94.3%
	Useful Efficiency at minimum heat output (indicative) - $\eta_{th,min}$	91.5%	91.5%

PILOT FLAME POWER REQUIREMENT	Permanent Pilot Flame Power requirement (if applicable) - $P_{pilot}$	N/A	N/A
-------------------------------	---	-----	-----

TYPE OF HEAT OUTPUT/ROOM TEMPERATURE CONTROL		
Electronic room temperature control + day timer	Yes	Yes

OTHER CONTROL OPTIONS (MULTIPLE SELECTIONS POSSIBLE)		
Room temperature control, with presence detection	No	No
Room temperature control, with open window detection	No	No
With distance control option	No	No
With adaptive start control	No	No
With working time limitation	No	No
With black bulb sensor	No	No

ENERGY EFFICIENCY INDEX	90.3%	90.3%
ENERGY EFFICIENCY CLASS	A	A

<b>Contact:</b>	Gazco Limited, Spitfire Avenue, Skypark, Clyst Honiton, Exeter, Devon, England EX5 2FR
-----------------	--

## SERVICE RECORDS

### 1ST SERVICE

Date of Service.....  
Next Service Due .....  
Signed .....  
Retailer's Stamp/GasSafe Registration Number

### 3RD SERVICE

Date of Service.....  
Next Service Due .....  
Signed .....  
Retailer's Stamp/GasSafe Registration Number

### 5TH SERVICE

Date of Service.....  
Next Service Due .....  
Signed .....  
Retailer's Stamp/GasSafe Registration Number

### 7TH SERVICE

Date of Service.....  
Next Service Due .....  
Signed .....  
Retailer's Stamp/GasSafe Registration Number

### 9TH SERVICE

Date of Service.....  
Next Service Due .....  
Signed .....  
Retailer's Stamp/GasSafe Registration Number

### 2ND SERVICE

Date of Service.....  
Next Service Due .....  
Signed .....  
Retailer's Stamp/GasSafe Registration Number

### 4TH SERVICE

Date of Service.....  
Next Service Due .....  
Signed .....  
Retailer's Stamp/GasSafe Registration Number

### 6TH SERVICE

Date of Service.....  
Next Service Due .....  
Signed .....  
Retailer's Stamp/GasSafe Registration Number

### 8TH SERVICE

Date of Service.....  
Next Due .....  
Signed .....  
Retailer's Stamp/Gas Safe Registration Number

### 10TH SERVICE

Date of Service.....  
Next Service Due .....  
Signed .....  
Retailer's Stamp/GasSafe Registration Number









**FOR ENQUIRIES IN THE U.K (EXCLUDING NI):**

**Gazco Limited, Spitfire Avenue, Skypark, Clyst Honiton, Exeter, Devon, England EX5 2FR**

**Tel: (01392) 261900 E-mail: [info@gazco.com](mailto:info@gazco.com)**

**FOR ENQUIRIES IN EUROPE (INCLUDING NI):**

**Stovax Heating Group (NI) Ltd (Comp reg NI675194), 40 Linenhall Street, Belfast, BT2 8BA**

**DX 400 NR Belfast Tel: +44 (0)1392 261990 E-mail: [northernireland@gazco.com](mailto:northernireland@gazco.com)**

